

**C537**

*- DISHWASHER ADVANCE SQUARE BASKET 50x50 WITH RINSE-AID  
AND DETERGENT DISPENSER*



(print on 13/11/2023)

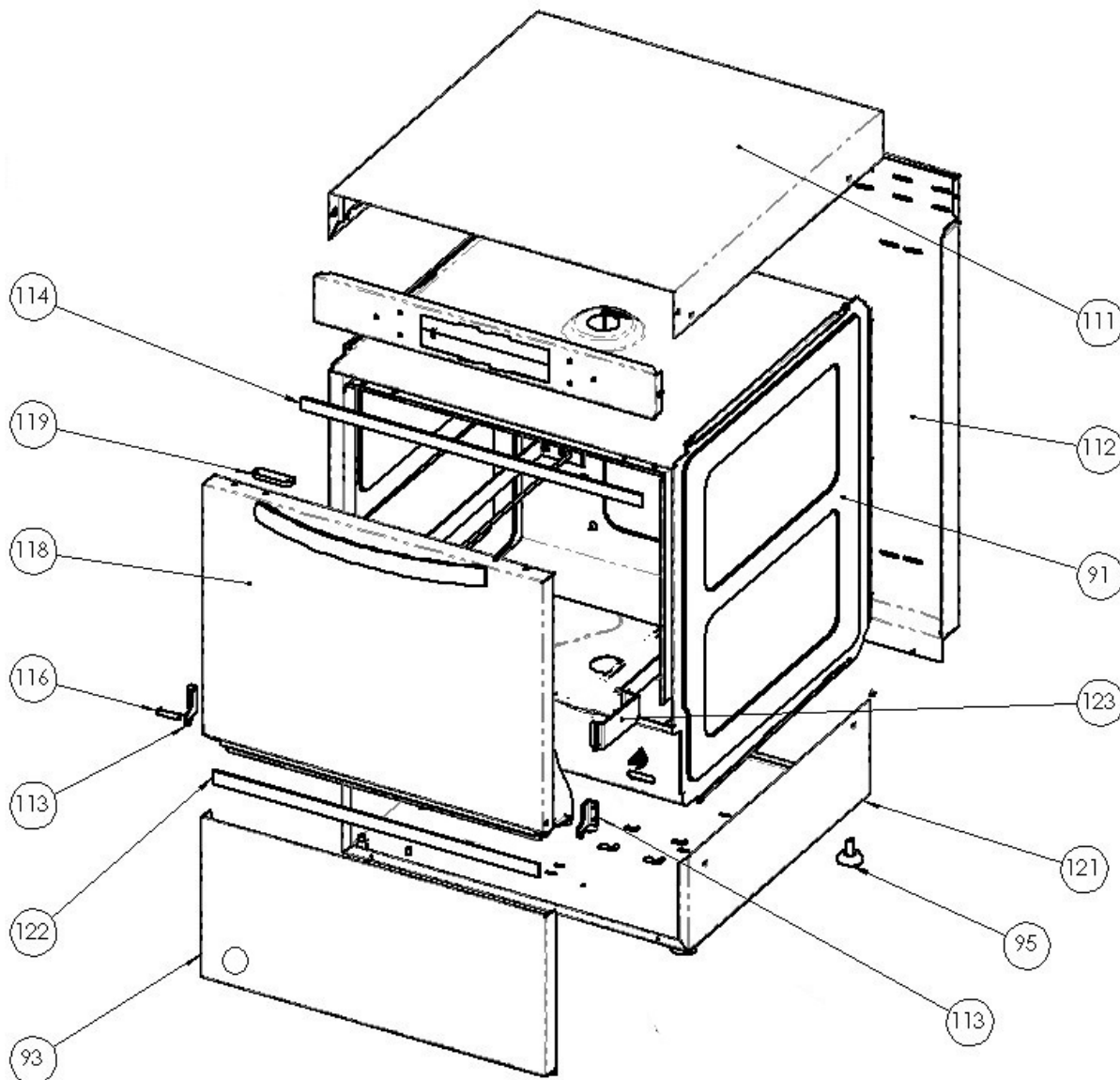


# C537

## - DISHWASHER ADVANCE SQUARE BASKET 50x50 WITH RINSE-AID AND DETERGENT DISPENSER



(print on 13/11/2023)



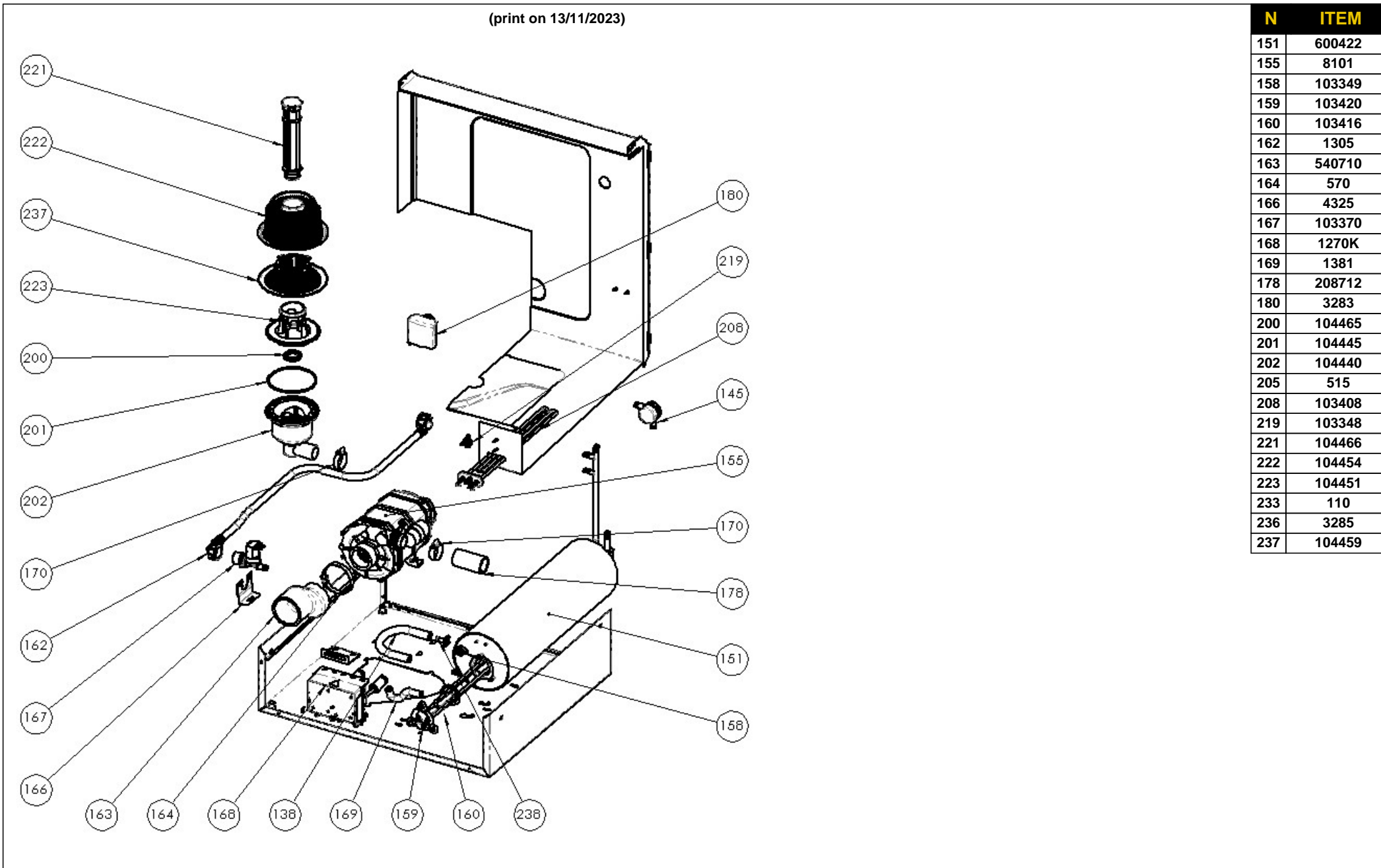
N	ITEM
91	543530
93	543550
95	3290
111	543500
112	543510
113	4002
113	4003
114	100548
116	4100
118	543540
119	1225
121	543560
122	100546
123	543570

# C537

## - DISHWASHER ADVANCE SQUARE BASKET 50x50 WITH RINSE-AID AND DETERGENT DISPENSER



(print on 13/11/2023)



N	ITEM
151	600422
155	8101
158	103349
159	103420
160	103416
162	1305
163	540710
164	570
166	4325
167	103370
168	1270K
169	1381
178	208712
180	3283
200	104465
201	104445
202	104440
205	515
208	103408
219	103348
221	104466
222	104454
223	104451
233	110
236	3285
237	104459

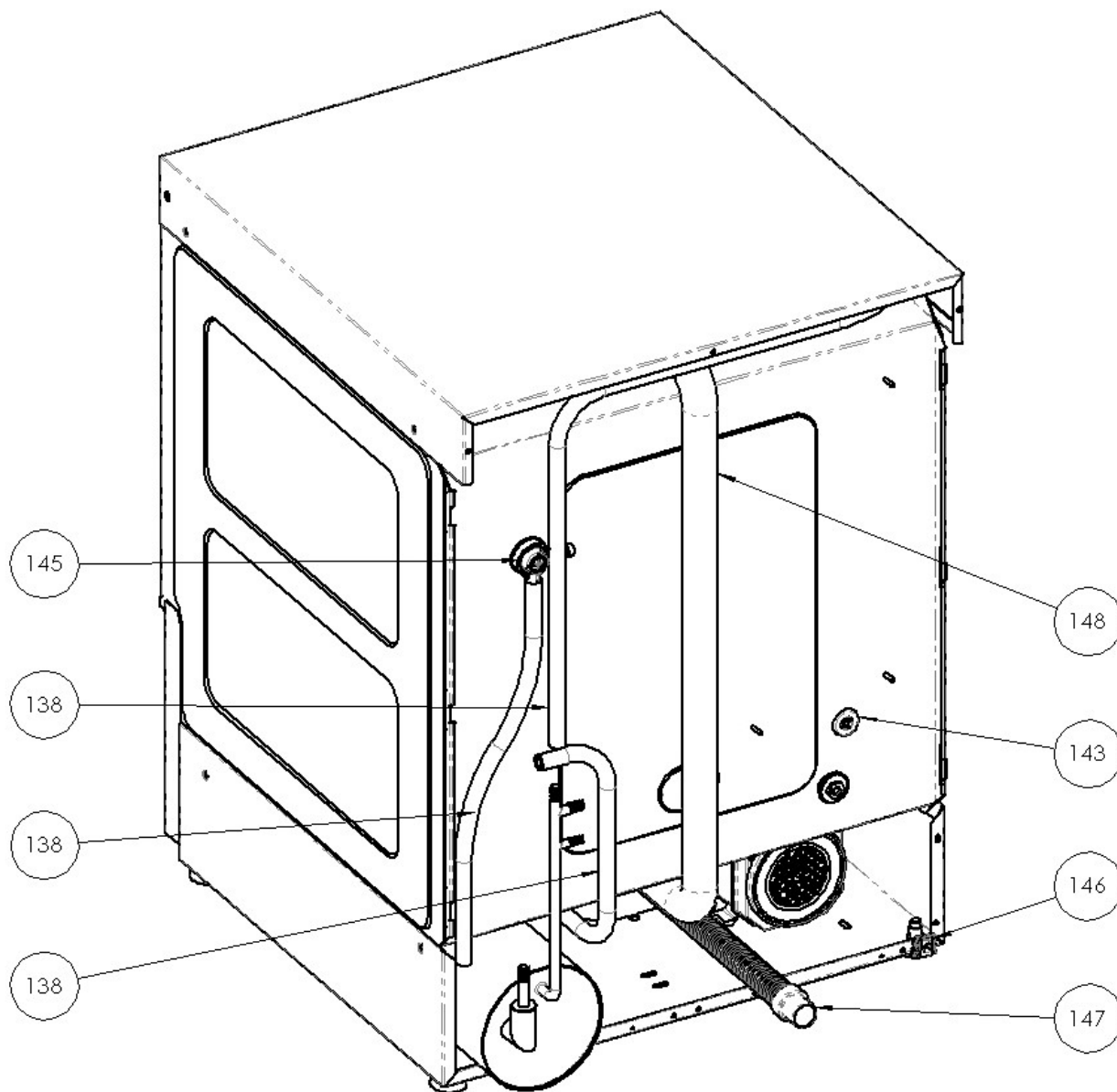
# C537

## - DISHWASHER ADVANCE SQUARE BASKET 50x50 WITH RINSE-AID AND DETERGENT DISPENSER



(print on 13/11/2023)

N	ITEM
138	1380
143	1347
145	1500
146	103555
147	1335
148	543700

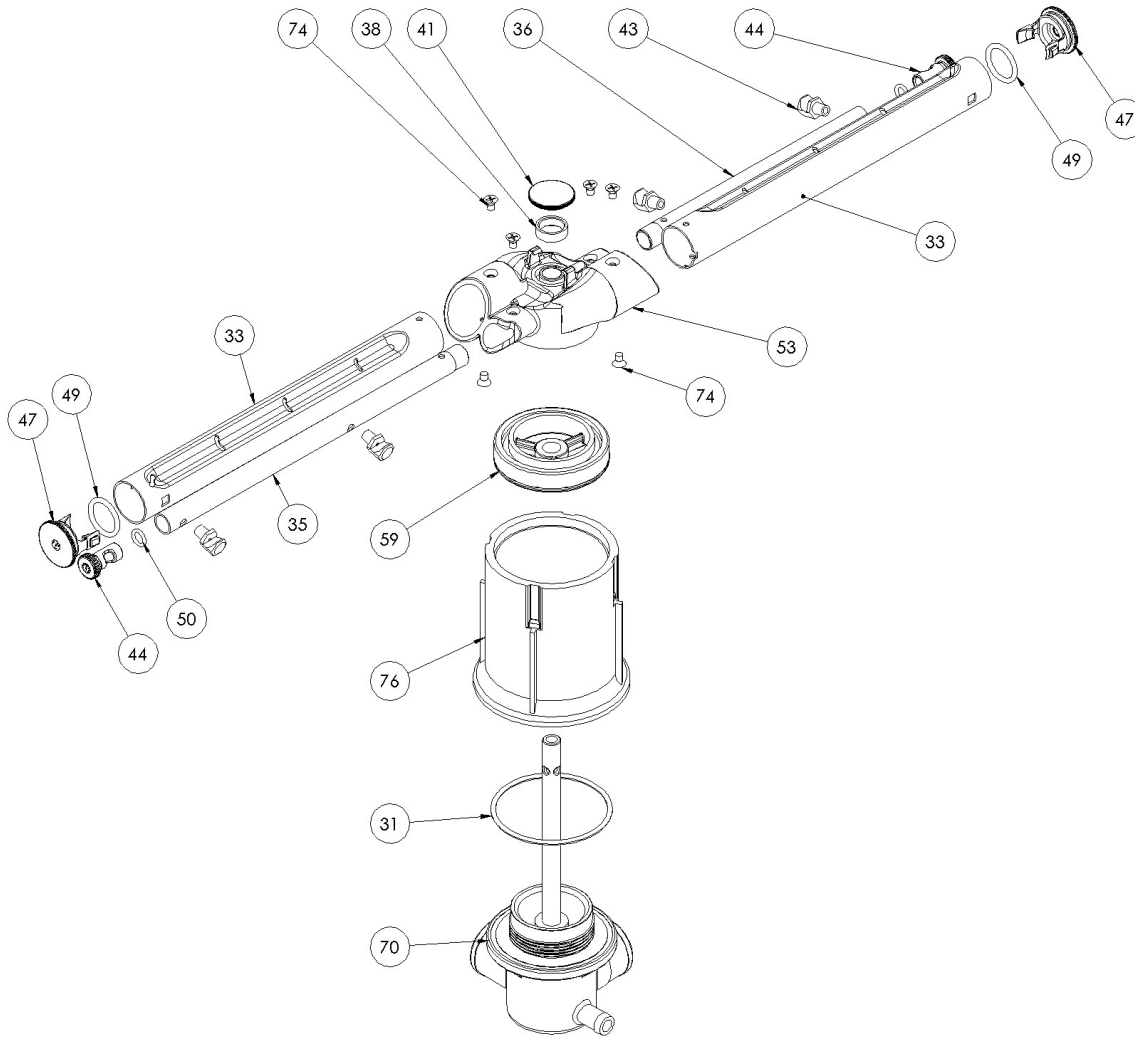


# C537

## - DISHWASHER ADVANCE SQUARE BASKET 50x50 WITH RINSE-AID AND DETERGENT DISPENSER



(print on 13/11/2023)



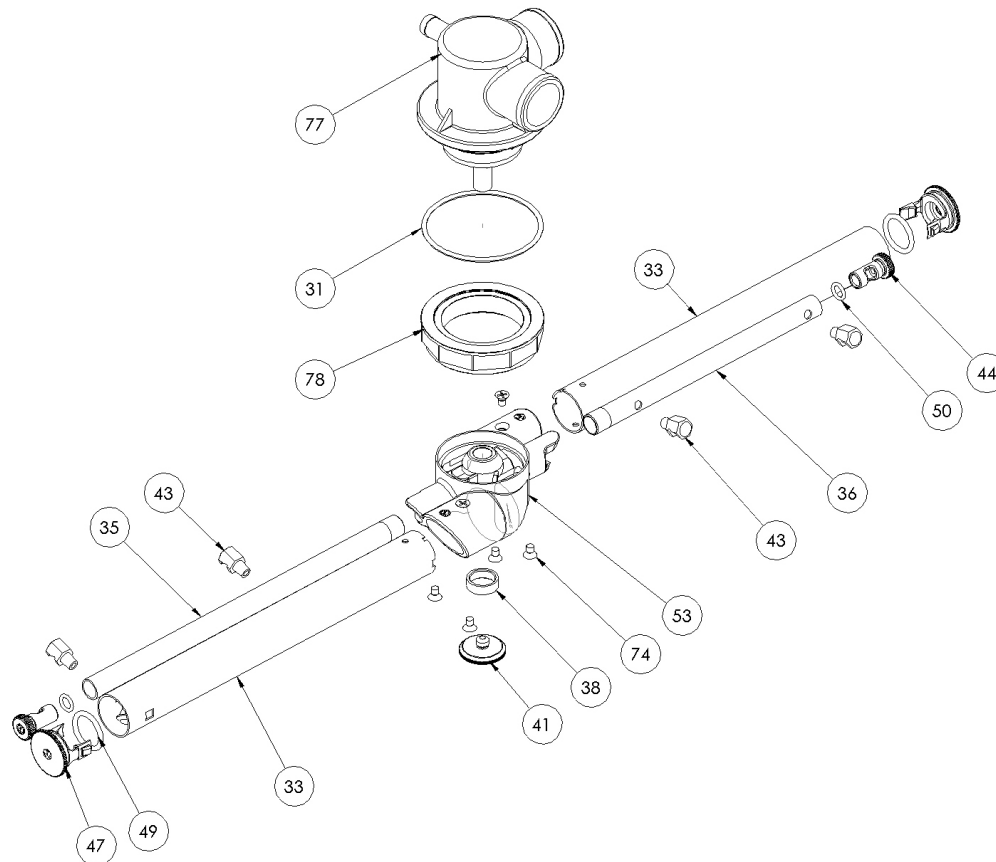
N	ITEM
31	104405
33	104770
35	104715
36	104710
38	104117
41	104040
43	104000
44	104483
47	104482
49	104094
50	104093
53	104480
59	104402
70	104410
74	214
76	104401
77	104411
78	104403

# C537

## - DISHWASHER ADVANCE SQUARE BASKET 50x50 WITH RINSE-AID AND DETERGENT DISPENSER



(print on 13/11/2023)



N	ITEM
31	104405
33	104770
35	104715
36	104710
38	104117
41	104040
43	104000
44	104483
47	104482
49	104094
50	104093
53	104480
59	104402
70	104410
74	214
76	104401
77	104411
78	104403

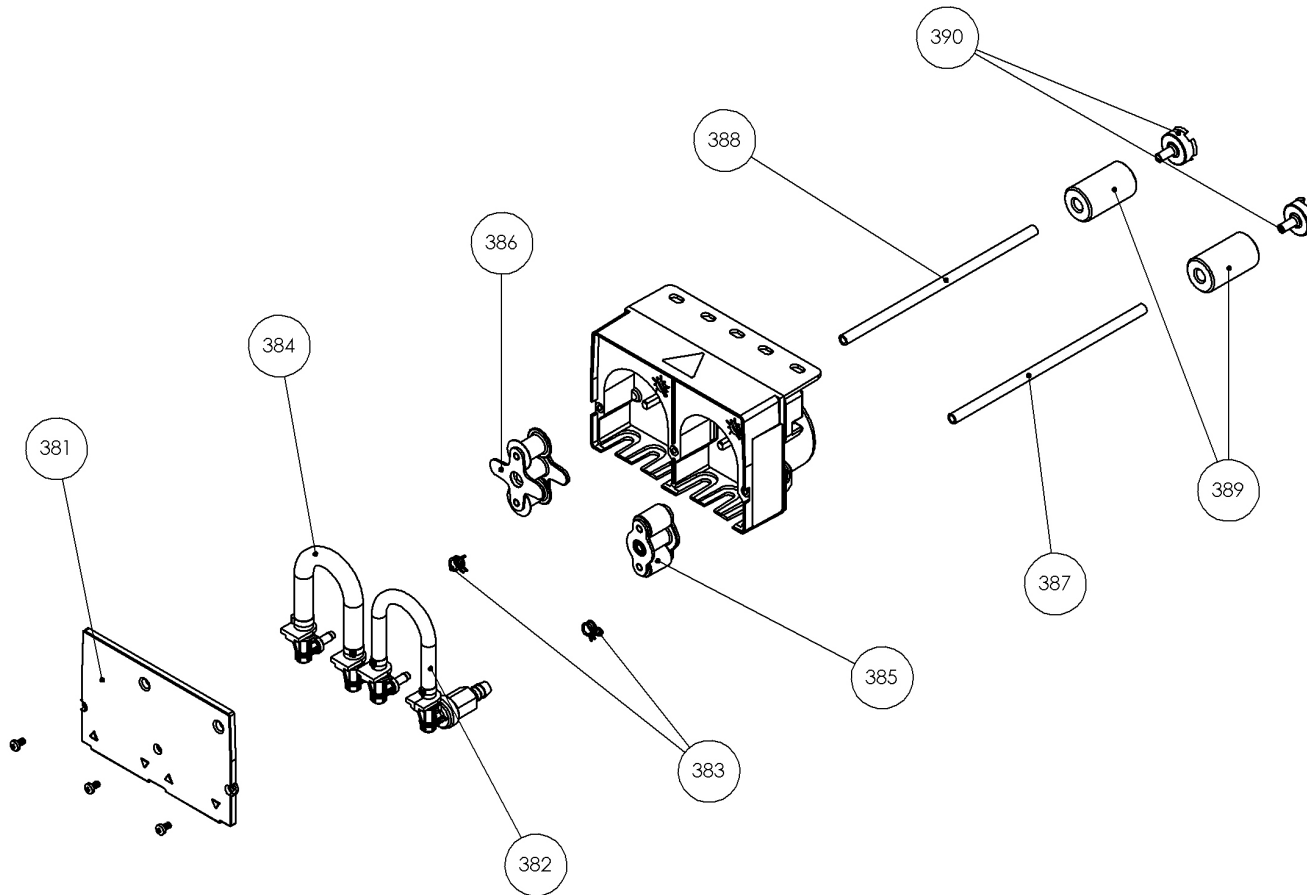
# C537

## - DISHWASHER ADVANCE SQUARE BASKET 50x50 WITH RINSE-AID AND DETERGENT DISPENSER



(print on 13/11/2023)

N	ITEM
381	1261
382	1216
383	503
384	1217
385	1211B
386	1211A
387	1420
388	1421
389	1215
390	1218



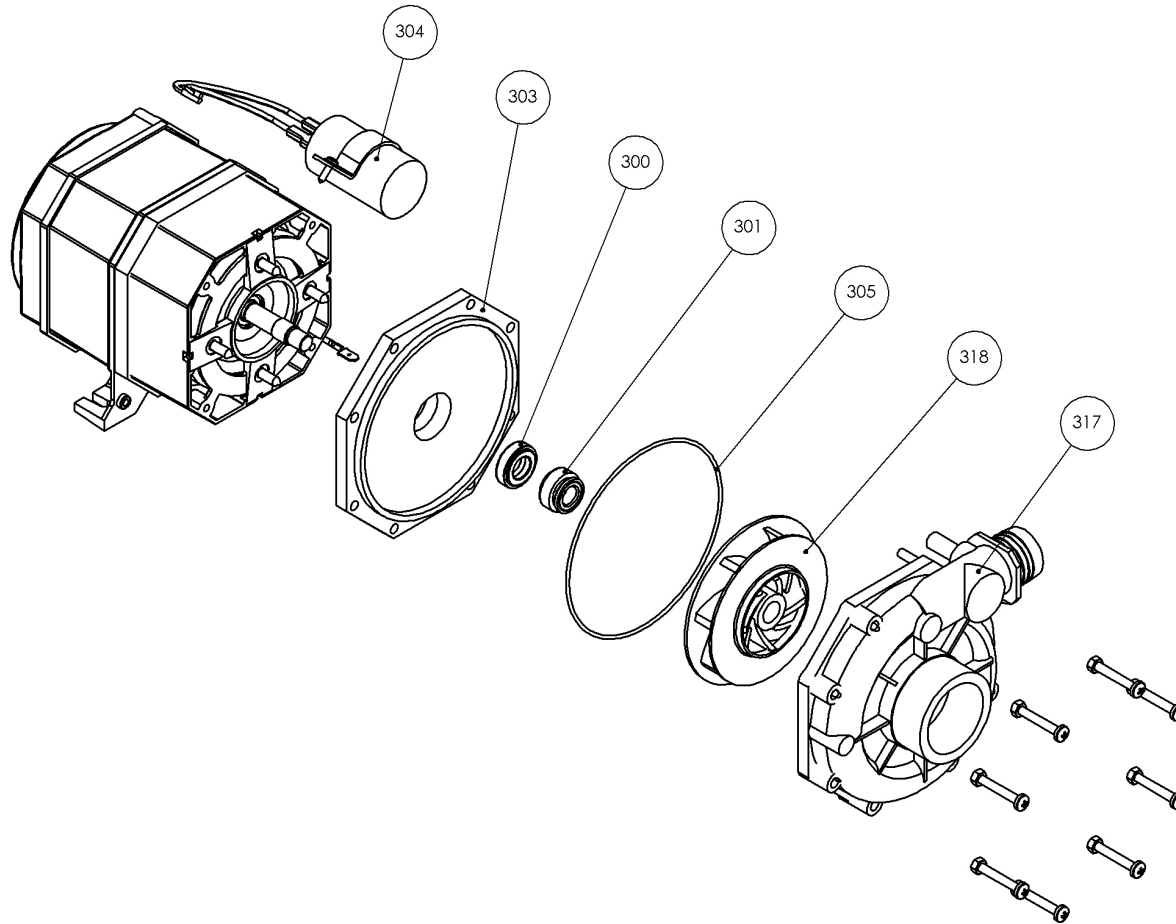
# C537

## - DISHWASHER ADVANCE SQUARE BASKET 50x50 WITH RINSE-AID AND DETERGENT DISPENSER



(print on 13/11/2023)

N	ITEM
300	6018
301	6014
303	6213
304	6215
305	6412
317	8110
318	8111





# C537

## - DISHWASHER ADVANCE SQUARE BASKET 50x50 WITH RINSE-AID AND DETERGENT DISPENSER



N	ITEM	DESCRIPTION (ENG)	N	ITEM	DESCRIPTION (ENG)
2.91	543530	VASCA INOX STAMPATA	4.145	1500	BACKFLOW VALVE COMPLETE WITH BALL, OR GASKET, FLAT GASKET, NUT, NUT COVER
2.93	543550	STAINLESS STEEL LOWER FRONT PANEL	4.146	103555	EQUIPOTENTIAL CLAMP
2.95	3290	ADJUSTABLE PLASTIC FOOT WITH ZINC-COATED INSERT M10X35	4.147	1335	DRAIN PIPE L=2mt WITH Ø28 BEND AND Ø24 STRAIGHT SLEEVE
2.111	543500	STAINLESS STEEL UPPER COVER FOR 50x50 DISHWASHER	4.148	543700	UPPER THERMOMOULD WASH PIPE D. 30 MM
2.112	543510	STANDARD REAR PANEL	5.31	104405	GASKET OR PLASTIC GROUP Ø60 Sp.2,62 NBR70°
2.113	4002	CERNIERA PORTA SINISTRA	5.33	104770	TUBO LAVAGGIO AISI303 Ø25x1 x 225 - 4 GETTI
2.113	4003	CERNIERA PORTA DESTRA	5.35	104715	TUBO RISCIAQUO AISI303 Ø12x1 x 225 - 2 GETTI
2.114	100548	SEAL GASKET 20x4 POLICLOR CM BLACK WITHOUT STICKER	5.36	104710	TUBO RISCIAQUO AISI303 Ø12x1 x 164 - 2 GETTI
2.116	4100	PIVOT DOOR STAINLESS STEEL AISI 303 DIS. PR8	5.38	104117	CARBONGRAPHITE BUSH Øi=13,5 - Øe=17 - H=5,3mm
2.118	543540	STAINLESS STEEL DOOR INTERCHANGEABLE HANDLE	5.41	104040	STAINLESS STEEL KNURLED NUT
2.119	1225	MICROSWITCH HOLDING MAGNET FOR DOOR 40x14x3.8	5.43	104000	STAINLESS STEEL RINSE JET AISI303 ES10X17
2.121	543560	STAINLESS STEEL BASE	5.44	104483	RINSE ARM CAP
2.122	100546	BLACK GASKET FOR LOWER FRONT PANEL 22X3 POLICLOR CM WITH STICKER	5.47	104482	WASH ARM CAP
2.123	543570	STAINLESS STEEL RIGHT/LEFT BASKET GUIDE	5.49	104094	GASKET OR C 2,62 - Øi 17,86 - NBR
3.151	600422	BOILER INOX Ø140x465 SINGLE PHASE	5.50	104093	GASKET OR C 1,78 - Øi 6,75 - NBR
3.155	8101	WASH MOTOR PUMP 0,7 HP Ø56mm ASPIRATION	5.53	104480	WASH/RINSE ARM GROUP
3.158	103349	SAFETY BOILER THERMOSTAT 105°C 16A MANUAL RESET	5.59	104402	INSERT FOR PLASTIC FIXED BODY
3.159	103420	BOILER HEATING ELEMENT 2500W 240V	5.70	104410	LONG PIN PLASTIC UNIT
3.160	103416	OR HEATER GASKET WITH FLANGE NBR70Sh Ø 37,47 x 5,34mm	5.74	214	SCREW M4x6 TSP+ INOX
3.162	1305	WATER ENTRY PIPE MT 2 PVC CORDPLAST W/GASKETS	5.76	104401	PLASTIC FIXED BODY
3.163	540710	SUCTION PIPE WITH GRID Ø60x71 L=125 EPDM	5.77	104411	CAP SHORT PIN PLASTIC UNIT
3.164	570	STAINLESS STEEL STRIPS 59-63	5.78	104403	PLASTIC UNIT FIXING RING NUT
3.166	4325	HOLDING VALVE BRACKET	6.31	104405	GASKET OR PLASTIC GROUP Ø60 Sp.2,62 NBR70°
3.167	103370	SOLENOID VALVE 180° COIL 220V-50/60Hz	6.33	104770	TUBO LAVAGGIO AISI303 Ø25x1 x 225 - 4 GETTI
3.168	1270K	ELECTRIC RINSE-AID AND DETERGENT DISPENSER + WEIGHT + FILTER + NON-RETURN V	6.35	104715	TUBO RISCIAQUO AISI303 Ø12x1 x 225 - 2 GETTI
3.169	1381	RUBBER PIPE 8X15 120°C AL MT Calorwater 10 Bar 120°C LL	6.36	104710	TUBO RISCIAQUO AISI303 Ø12x1 x 164 - 2 GETTI
3.178	208712	DELIVERY HOSE Ø33,4x41,4 L=100 EPDM	6.38	104117	CARBONGRAPHITE BUSH Øi=13,5 - Øe=17 - H=5,3mm
3.180	3283	AIR TRAP IN LOADED POLYPROPYLENE	6.41	104040	STAINLESS STEEL KNURLED NUT
3.200	104465	GASKET FOR OVERFLOW PIPE NBR75 BLACK	6.43	104000	STAINLESS STEEL RINSE JET AISI303 ES10X17
3.201	104445	OR GASKET MANIFOLT 101,20x3,53 NBR70	6.44	104483	RINSE ARM CAP
3.202	104440	SUCTION-DRAIN GROUP FOR DISHWASHER	6.47	104482	WASH ARM CAP
3.205	515	STAINLESS STEEL STRIP 30-45 W2B BAND 12	6.49	104094	GASKET OR C 2,62 - Øi 17,86 - NBR
3.208	103408	TANK HEATING ELEMENT 2600W 240V	6.50	104093	GASKET OR C 1,78 - Øi 6,75 - NBR
3.219	103348	SAFETY THERMOSTAT 80°C 16A MANUAL RESET	6.53	104480	WASH/RINSE ARM GROUP
3.221	104466	OVERFLOW PIPE FOR FRONT-LOADING GLASSWASHER AND DISHWASHERS L=191mm (WITHOUT)	6.59	104402	INSERT FOR PLASTIC FIXED BODY
3.222	104454	EXTERNAL SUCTION FILTER FOR DISHWASHER Ø154	6.70	104410	LONG PIN PLASTIC UNIT
3.223	104451	SLEEVE FOR SUCTION-DRAIN GROUP OF DISHWASHER FOR INTERNAL/EXTERNAL FILTER Ø	6.74	214	SCREW M4x6 TSP+ INOX
3.233	110	KNURLED FLANGED STAINLESS STEEL NUT M5	6.76	104401	PLASTIC FIXED BODY
3.236	3285	PIPE FOR AIR TRAP	6.77	104411	CAP SHORT PIN PLASTIC UNIT
3.237	104459	INTERNAL SUCTION FILTER WIDE MESH FOR FRONT-LOADING DISHWASHERS, HOOD TYPE	6.78	104403	PLASTIC UNIT FIXING RING NUT
4.138	1380	RUBBER HOSE 10X17 120°C AT A METER Calorwater 10 Bar 120°C LL	7.381	1261	FRONT PLEXIGLASS FOR DOUBLE DISPENSER
4.143	1347	RUBBER CAP Ø17	7.382	1216	SILICON TUBE FOR ELECTRIC RINSE-AID DISPENSER RACC.90° WITH NON-RETURN VALV

# C537

## - DISHWASHER ADVANCE SQUARE BASKET 50x50 WITH RINSE-AID AND DETERGENT DISPENSER



N	ITEM	DESCRIPTION (ENG)
7.383	503	STAINLESS STEEL STRIP ALL 6-6,7
7.384	1217	SANTOPRENE TUBE FOR ELECTRIC DETERGENT DISPENSER 90° CONNECTION
7.385	1211B	INNER ROLLER FOR ELECTRIC RINSE-AID DISPENSER
7.386	1211A	INNER ROLLER FOR DETERGENT DOSER
7.387	1420	BLUE PIPE 6X4 MM FOR RINSE-AID
7.388	1421	YELLOW PIPE 6X4 MM FOR DETERGENT
7.389	1215	CERAMIC WEIGHT + FILTER FOR DISPENSER SUCTION PIPE
7.390	1218	FILTER FOR DISPENSER SUCTION PIPE
8.300	6018	HARD SILICON CARBIDES HOLD GASKET
8.301	6014	ROTARY SEALING GASKET FOR WASH PUMP
8.303	6213	FLANGE FOR WASH MOTOR PUMP HP 0,7
8.304	6215	CONDENSATOR 12,5µF FOR MOTOR HP 0,7
8.305	6412	OR GASKET FOR PUMP ROTOR HP 0,5-0,7
8.317	8110	PUMP MOTOR VOLUTE HP 0,7-1,2 SUCTION Ø56
8.318	8111	PUMP MOTOR ROTOR HP 0,7

N	ITEM	DESCRIPTION (ENG)
---	------	-------------------