



Catalogo ricambi
Spare parts catalogue

F18SB
F18SB TALL

SANREMO coffee machines s.r.l.

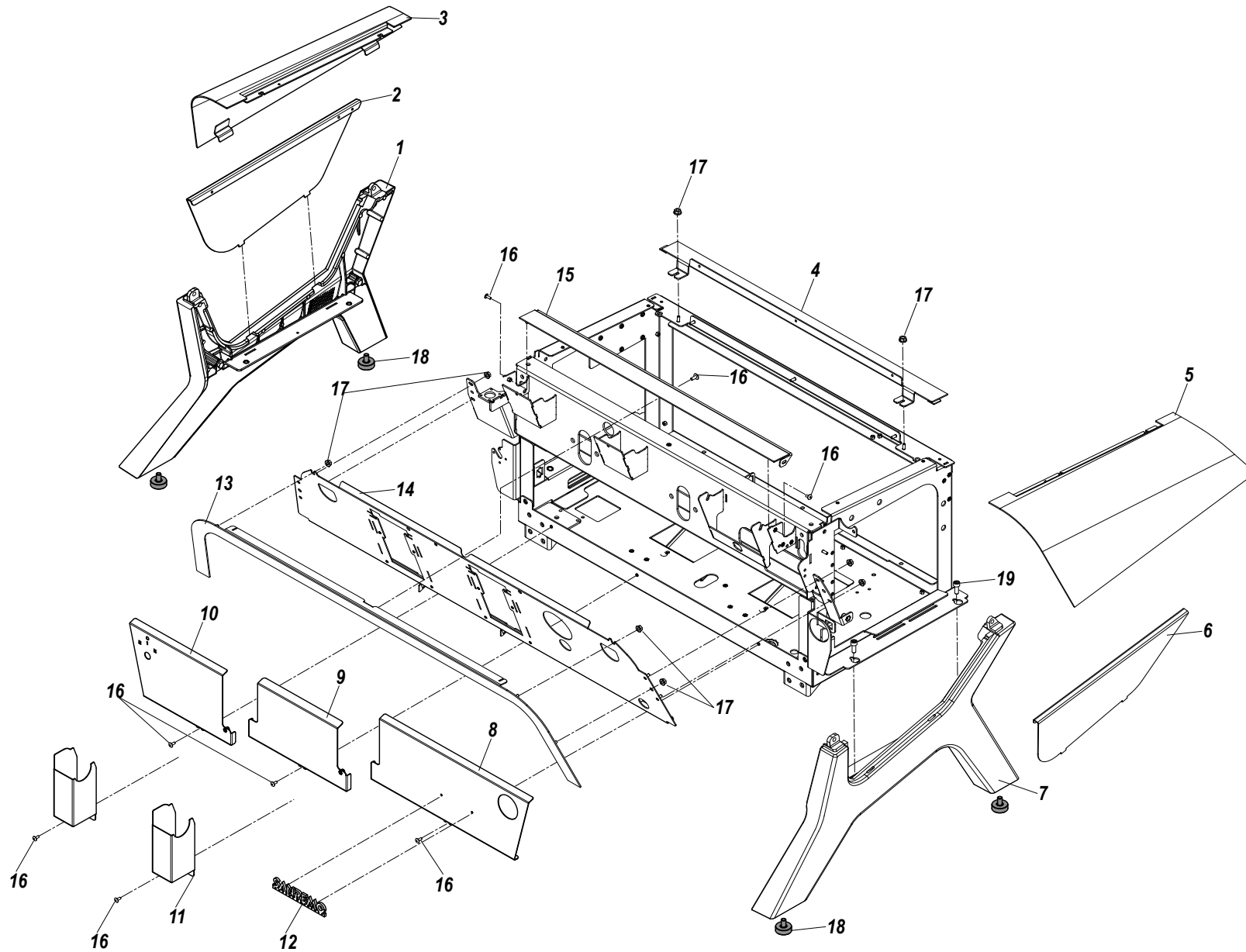
Via Bortolan, 52 - 31050 Vascon di Carbonera (Treviso) ITALY

Tel. +39.0422.498900 - Fax. +39.0422.448935

www.sanremomachines.com - E-mail: info@sanremomachines.com



TAV. / DRAW. 1	PANNELLI / PANELS.....	Pag. 4
TAV. / DRAW. 2	PANNELLI POSTERIORI / REAR PANELS	Pag. 8
TAV. / DRAW. 3	SCALDATAZZE / CUP WARMER	Pag. 10
TAV. / DRAW. 4	PORTACOMANDI / CONTROL PANEL.....	Pag. 12
TAV. / DRAW. 5	RUBINETTO E LANCIA VAPORE / STEAM TAP AND WAND.....	Pag. 14
TAV. / DRAW.6	EROGAZIONE ACQUA / WATER EROGATION	Pag. 18
TAV. / DRAW.7	CIRCUITO DI SCARICO / INLET - OUTLET CIRCUIT	Pag. 20
TAV. / DRAW.8	CIRCUITO VAPORE E CARICO ACQUA / STEAM AND WATER LOAD CIRCUIT	Pag. 22
TAV. / DRAW.9	POMPE / PUMPS.....	Pag. 24
TAV. / DRAW.10	DISPLAY / DISPLAY.....	Pag. 26
TAV. / DRAW.11	AUTOSTEAMER	Pag. 28
TAV. / DRAW.12	CALDAIA / BOILER	Pag. 32
TAV. / DRAW.13	MASSELLO / FILLING BLOCK.....	Pag. 34
TAV. / DRAW.14	GRUPPO EROGAZIONE / GROUP HEAD.....	Pag. 36
TAV. / DRAW.15	SPORTELLO ELETTRICO SINISTRO / LEFT ELECTRIC PANEL.....	Pag. 40
TAV. / DRAW.16	SPORTELLO ELETTRICO DESTRO / RIGHT ELECTRIC PANEL.....	Pag. 42
TAV. / DRAW.17	OPTIONAL LED.....	Pag. 44
TAV. / DRAW.18	USCITA VAPORE EXTRA / EXTRA STEAM OUT.....	Pag. 46



F18 SB

TAVOLA
DRAWING

1

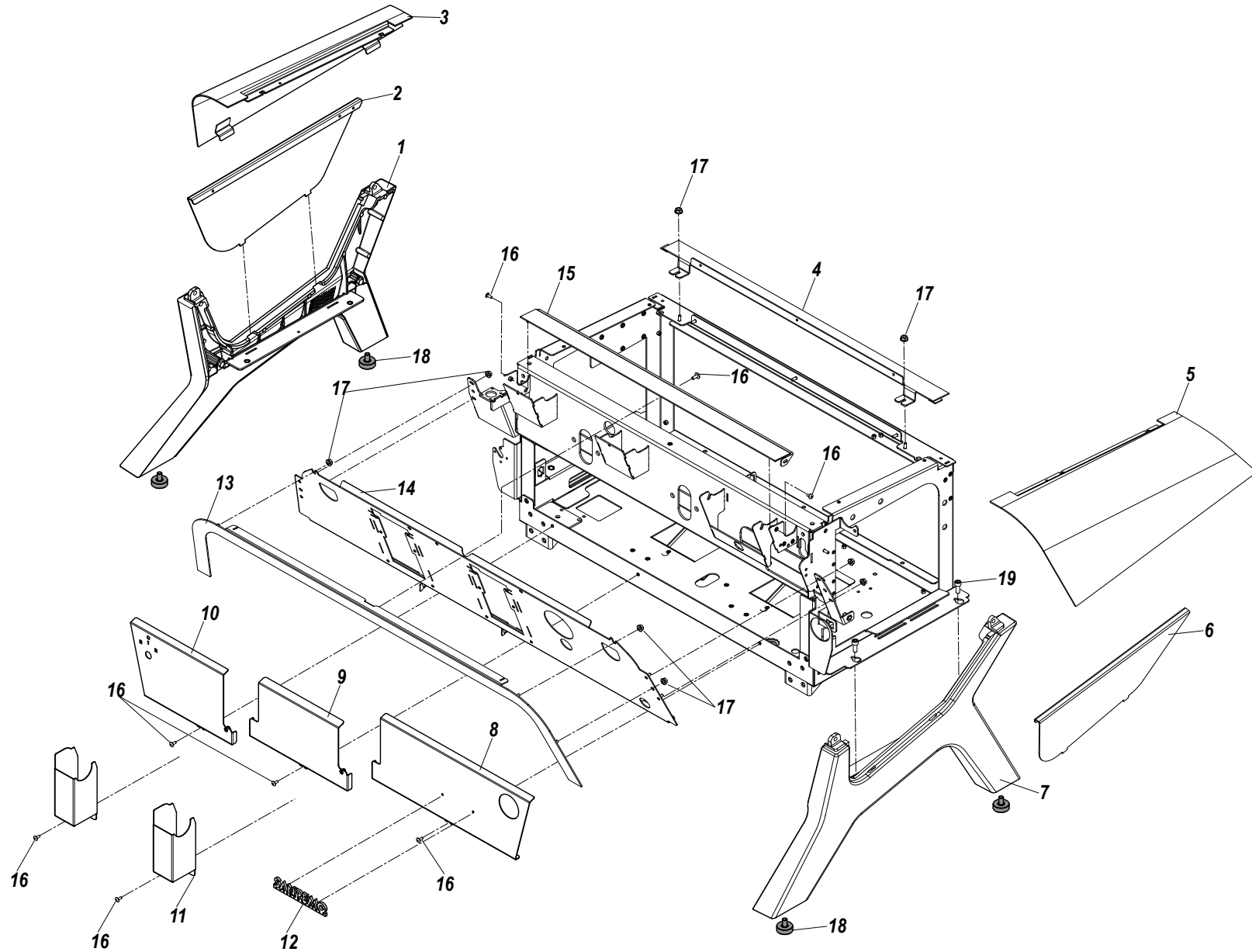
PANNELLI / PANELS

2/4



RIF. POS.	CODICE CODE	DESCRIZIONE	DESCRIPTION	NOTE NOTES
1	10039482A	GAMBA SX F18 AL V.NERO OPACO	MATT BLACK LEFT SUPPORTING LEG	
2	10046872B	PANN.INF.SX GAMBA ALF18 NERO LUCIDO	GLOSSY BLACK LEG LOWER PANEL LEFT SIDE	
3A	10086205D	FIANCO SX CARROZ F18SB2-3 V.BIANCO OPACO	MATT WHITE UPPER LEFT SIDE PANEL	
3B	10086206D	FIANCO SX CARROZ F18SB2-3 V.ROSSO CORSA LUCIDO	GLOSSY RACING RED UPPER LEFT SIDE PANEL	
3C	10086208D	FIANCO SX CARROZ F18SB2-3 V.MARRONE RAGGRINZATO	WRINKLED BROWN UPPER LEFT SIDE PANEL	
3D	10086203D	FIANCO SX CARROZ F18SB2-3 V.N.OPAC	MATT BLACK LEG LOWER PANEL LEFT SIDE	
4A	10086143	PROT.SUP.POST. F18SB2GR V.NERO OPACO	MATT BLACK REAR UPPER PROTECTION 2GR	2GRUPPI / 2GROUPS
4B	10086145	PROT.SUP.POST. F18SB2GR V.BIANCO OPACO	MATT WHITE REAR UPPER PROTECTION 2GR	2GRUPPI / 2GROUPS
4C	10086146	PROT.SUP.POST. F18SB2GR V.ROSSO CORSA LUCIDO	GLOSSY RACING RED REAR UPPER PROTECTION 2GR	2GRUPPI / 2GROUPS
4D	10086148	PROT.SUP.POST. F18SB2GR V.MARRONE RAGGRINZATO	WRINKLED BROWN REAR UPPER PROTECTION 2GR	2GRUPPI / 2GROUPS
4E	10087143	PROT.SUP.POST. F18SB3GR V.NERO OPACO	MATT BLACK REAR UPPER PROTECTION 3GR	3GRUPPI / 3GROUPS
4F	10087145	PROT.SUP.POST. F18SB3GR V.BIANCO OPACO	MATT WHITE REAR UPPER PROTECTION 3GR	3GRUPPI / 3GROUPS
4G	10087146	PROT.SUP.POST. F18SB3GR V.ROSSO CORSA LUCIDO	GLOSSY RACING RED REAR UPPER PROTECTION 3GR	3GRUPPI / 3GROUPS
4H	10087148	PROT.SUP.POST. F18SB3GR V.MARRONE RAGGRINZATO	WRINKLED BROWN REAR UPPER PROTECTION 3GR	3GRUPPI / 3GROUPS
5A	10086223D	FIANCO DX CARROZ F18SB2-3 V.NERO OPACO	MATT BLACK UPPER RIGHT SIDE PANEL	
5B	10086225D	FIANCO DX CARROZ F18SB2-3 V.BIANCO OPACO	MATT WHITE UPPER RIGHT SIDE PANEL	
5C	10086226D	FIANCO DX CARROZ F18SB2-3 V.ROSSO CORSA LUCIDO	GLOSSY RACING RED UPPER RIGHT SIDE PANEL	
5D	10086228D	FIANCO DX CARROZ F18SB2-3 V.MARRONE RAGGRINZATO	WRINKLED BROWN UPPER RIGHT SIDE PANEL	
6	10046852B	PANN.INF.DX GAMBA ALF18 NERO LUCIDO	GLOSSY BLACK LEG LOWER PANEL RIGHT SIDE	
7	10039462A	GAMBA DX F18 AL V.NERO OPACO	MATT BLACK RIGHT SUPPORTING LEG	
8A	10086110C	PROT.FRONT.INF DX F18SB2GR	LOWER RIGHT FRONTAL PROTECTION 2GR	2GRUPPI / 2GROUPS
8B	10087110D	PROT.FRONT.INF DX F18SB3GR	LOWER RIGHT FRONTAL PROTECTION 3GR	3GRUPPI / 3GROUPS
8C	10086111	PROT.FRONT.INF DX F18SB2GR TALL	LOWER RIGHT FRONTAL PROTECTION 2GR TALL	2GRUPPI / 2GROUPS
8D	10087111A	PROT.FRONT.INF DX F18SB3GR TALL	LOWER RIGHT FRONTAL PROTECTION 3GR TALL	3GRUPPI / 3GROUPS
9A	10086108A	PROT.FRONT.INF CENT. F18SB	LOWER CENTRAL FRONTAL PROTECTION	
9B	10086109	PROT.FRONT.INF CENT.SB2-3GR TALL	LOWER CENTRAL FRONTAL PROTECTION TALL	
10A	10086104C	PROT.FRONT.INF SX F18SB2GR	LOWER LEFT FRONTAL PROTECTION 2GR	2GRUPPI / 2GROUPS
10B	10087104C	PROT.FRONT.INF SX F18SB3GR	LOWER LEFT FRONTAL PROTECTION 3GR	3GRUPPI / 3GROUPS
10C	10086105	PROT.FRONT.INF SX F18SB2GR TALL	LOWER LEFT FRONTAL PROTECTION 2GR TALL	2GRUPPI / 2GROUPS
10D	10087105	PROT.FRONT.INF SX F18SB3GR TALL	LOWER LEFT FRONTAL PROTECTION 3GR TALL	3GRUPPI / 3GROUPS
11	10086170B	COPRIELETTOVALV F18SB 2-3GR	SOLENOID VALVE COVER F18SB 2-3GR	
12	10955214	ETICHETTA SANREMO ZA.V.NERO OPACO	SANREMO LABEL POLISHED MATT BLACK	

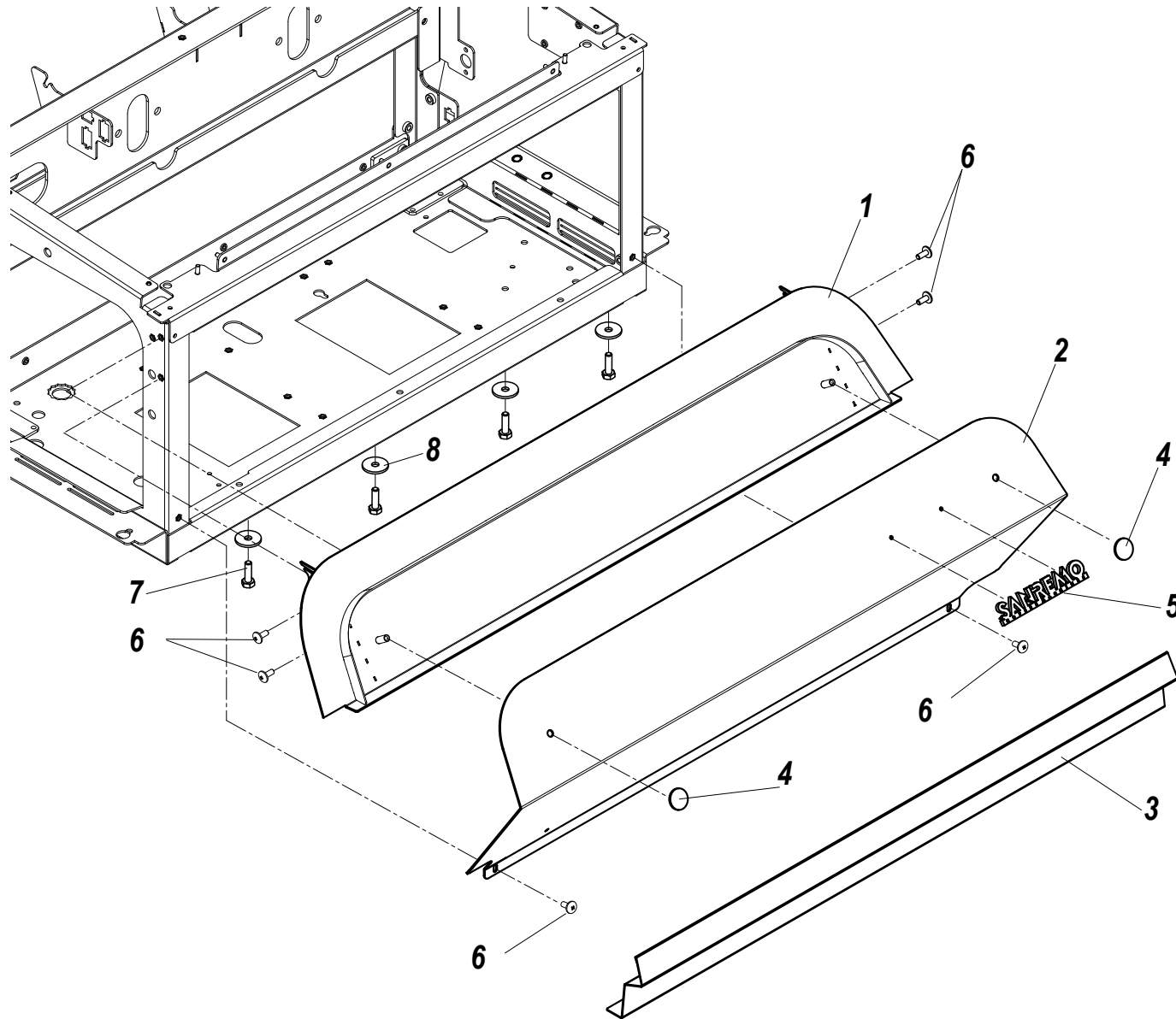
SEGUE / CONTINUE ---->

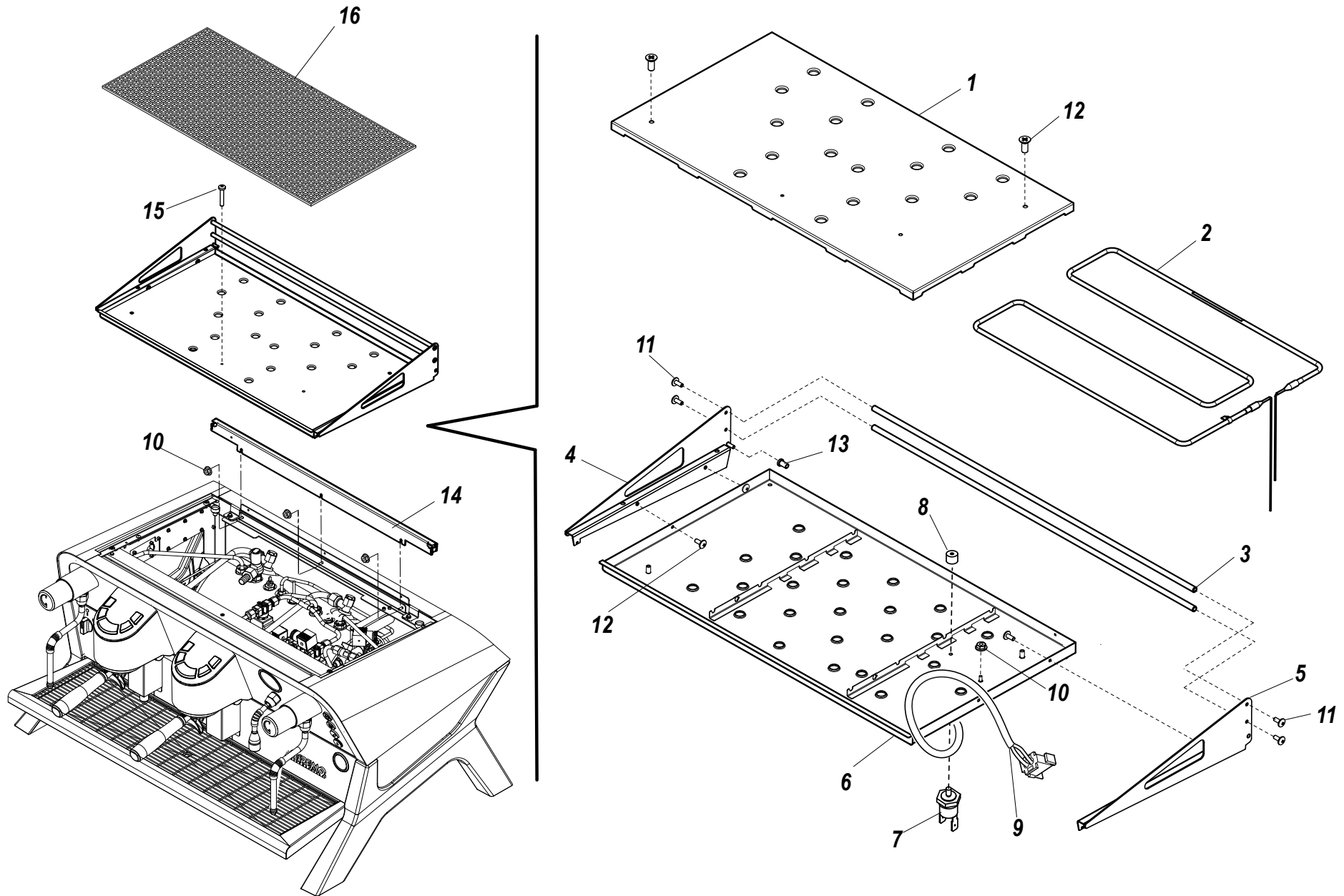




RIF. POS.	CODICE CODE	DESCRIZIONE	DESCRIPTION	NOTE NOTES
13A	10086162A	CORNICE FRONTALE F18SB2GR V.NERO OPACO	MATT BLACK FRONT FRAME 2GR	2GRUPPI / 2GROUPS
13B	10087162A	CORNICE FRONTALE F18SB3GR V.NERO OPACO	MATT BLACK FRONT FRAME 3GR	3GRUPPI / 3GROUPS
14A	10086305	PROT.FRONT.SUP.F18SB2GR STD V.NERO OPACO	MATT BLACK UPPER FRONTAL PROTECTION 2GR	2GRUPPI / 2GROUPS
14B	10086307	PROT.FRONT.SUP.F18SB2GR TVC V.NERO OPACO	MATT BLACK UPPER FRONTAL PROTECTION 2GR TVC	2GRUPPI / 2GROUPS
14C	10087305	PROT.FRONT.SUP.F18SB3GR STD V.NERO OPACO	MATT BLACK UPPER FRONTAL PROTECTION 3GR	3GRUPPI / 3GROUPS
14D	10087307	PROT.FRONT.SUP.F18SB3GR TVC V.NERO OPACO	MATT BLACK UPPER FRONTAL PROTECTION 3GR TVC	3GRUPPI / 3GROUPS
15A	10086133B	PROT.SUP.ANT. F18SB2GR V.NERO OPACO	MATT BLACK FRONT UPPER PROTECTION 2GR	2GRUPPI / 2GROUPS
15B	10086135B	PROT.SUP.ANT. F18SB2GR V.BIANCO OPACO	MATT WHITE FRONT UPPER PROTECTION 2GR	2GRUPPI / 2GROUPS
15C	10086136B	PROT.SUP.ANT. F18SB2GR V.ROSSO CORSA LUCIDO	GLOSSY RACING RED FRONT UPPER PROTECTION 2GR	2GRUPPI / 2GROUPS
15D	10086138B	PROT.SUP.ANT. F18SB2GR V.MARRONE RAGGRINZATO	WRINKLED BROWN FRONT UPPER PROTECTION 2GR	2GRUPPI / 2GROUPS
15E	10087133B	PROT.SUP.ANT. F18SB3GR V.NERO OPACO	MATT BLACK FRONT UPPER PROTECTION 3GR	3GRUPPI / 3GROUPS
15F	10087135B	PROT.SUP.ANT. F18SB3GR V.BIANCO OPACO	MATT WHITE FRONT UPPER PROTECTION 3GR	3GRUPPI / 3GROUPS
15G	10087136B	PROT.SUP.ANT. F18SB3GR V.ROSSO CORSA LUCIDO	GLOSSY RACING RED FRONT UPPER PROTECTION 3GR	3GRUPPI / 3GROUPS
15H	10087138B	PROT.SUP.ANT. F18SB3GR V.MARRONE RAGGRINZATO	WRINKLED BROWN FRONT UPPER PROTECTION 3GR	3GRUPPI / 3GROUPS
16	10805027A	VITE TBL+ M4X10 A2 LUCIDE T/T PH2	TBL+ M4X10 A2 SCREW	
17	10809011	DADO 4MA FLANG.ZIGR.ZN CL8	M4 FLANGED NUT	
18	10351036	PIEDINO CR M10XL18+12 H30MM D35 GOMMA	RUBBER FOOT	
19	10805078	VITE TCEI M6X8 A2 UNI 5931	SCREW TCEI M6X8	

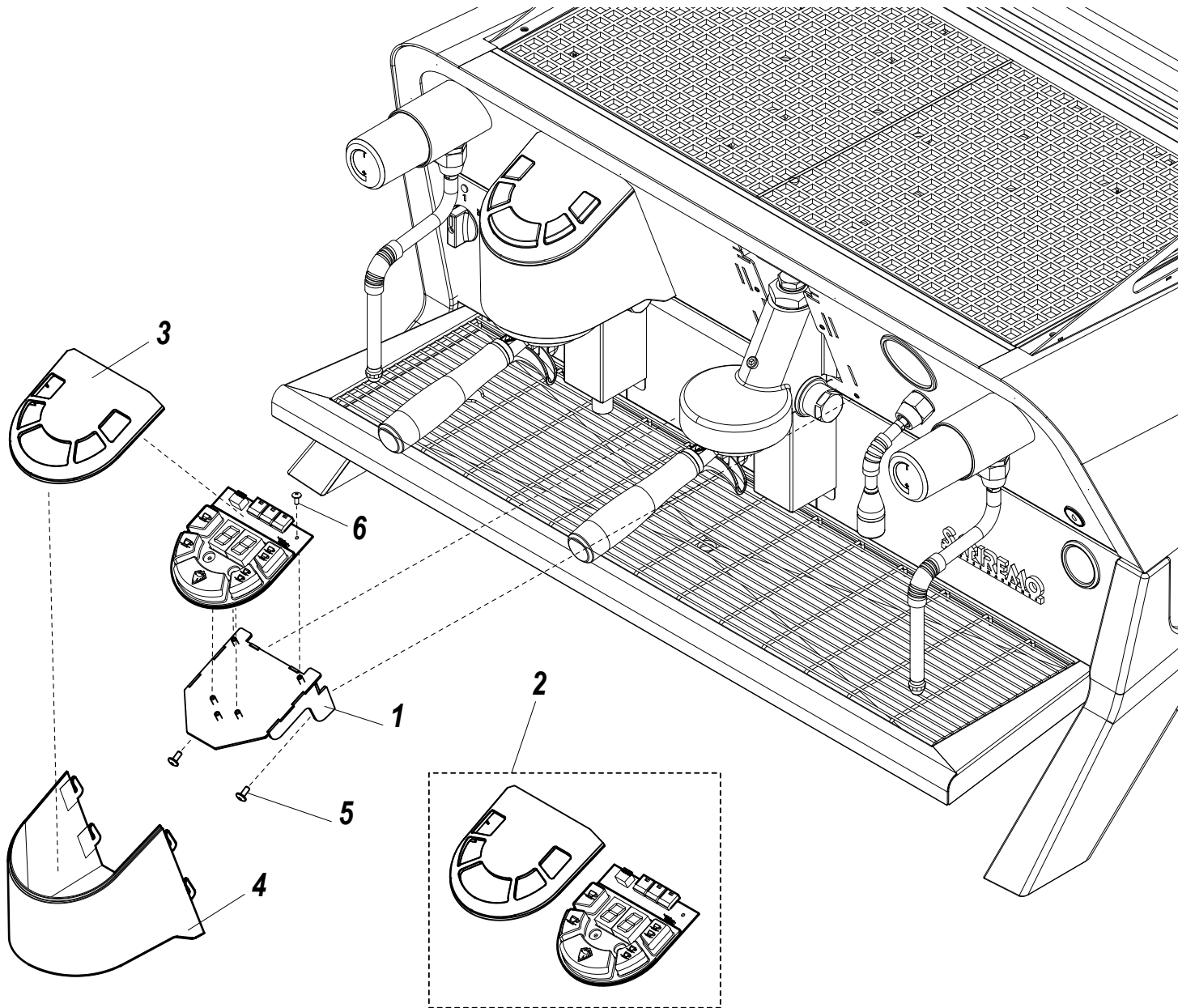
PANNELLI POSTERIORI / REAR PANELS

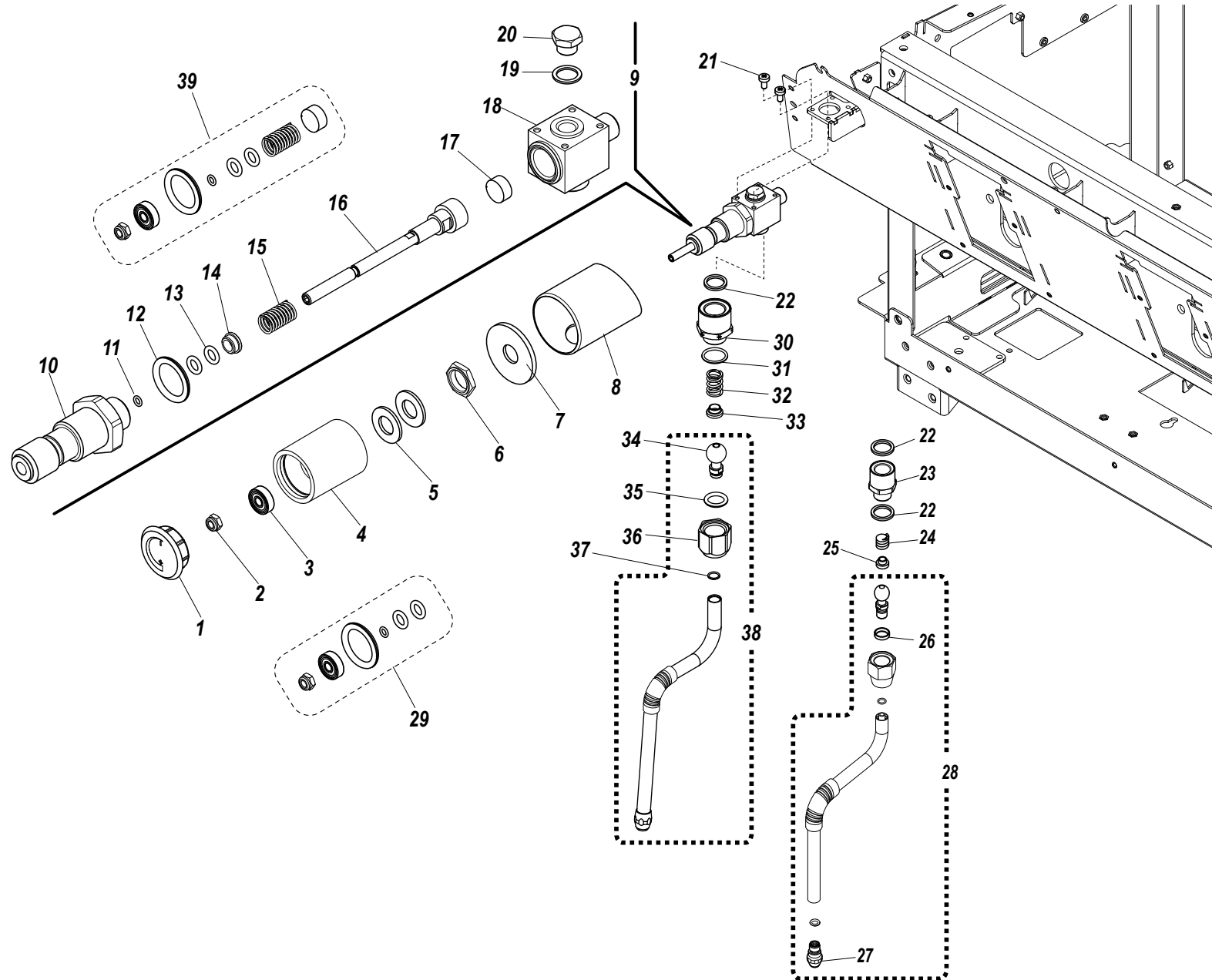






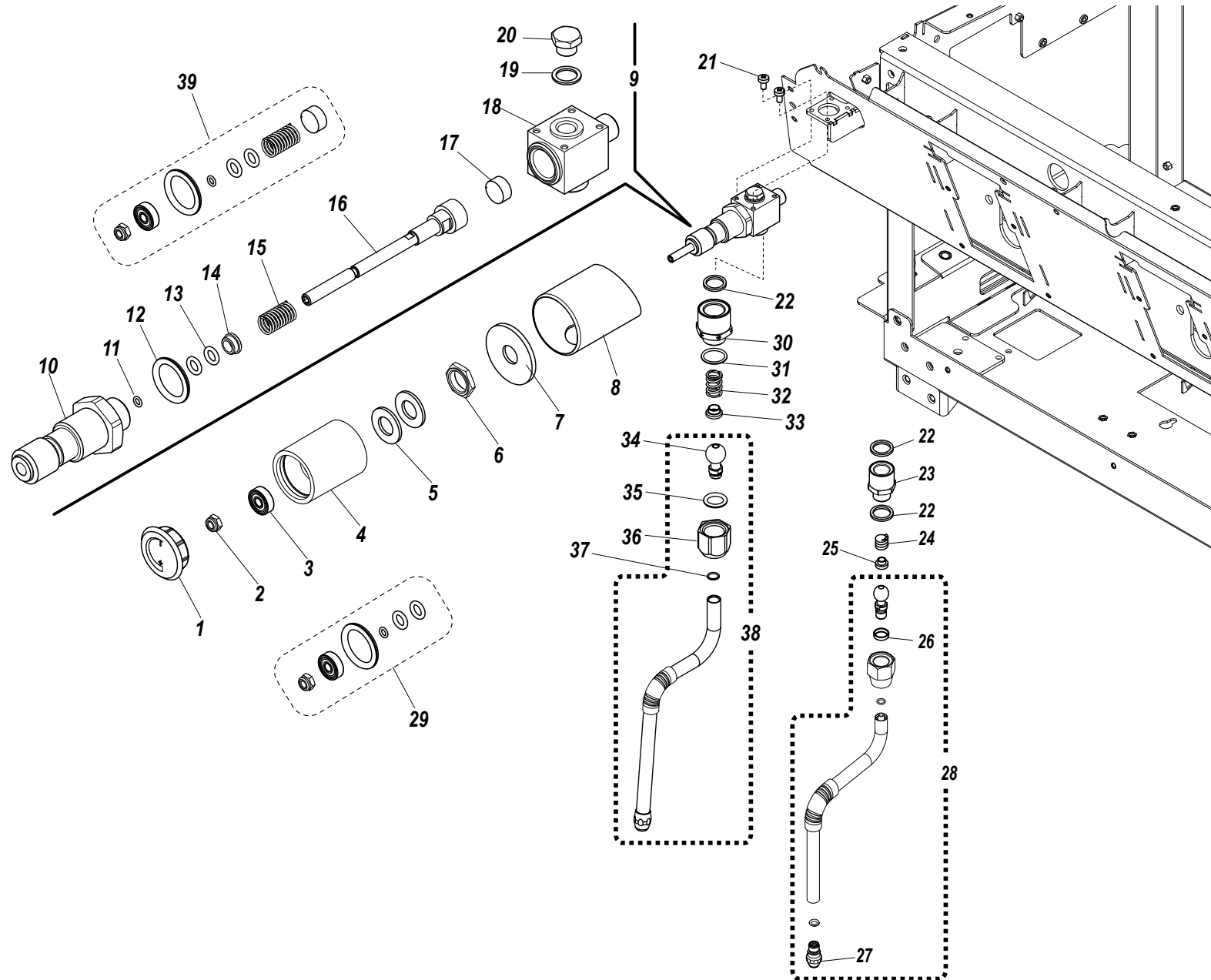
RIF. POS.	CODICE CODE	DESCRIZIONE	DESCRIPTION	NOTE NOTES
1A	10046114D	GRIGLIA SUPERIORE SCALDATAZZE 2GR	CUP WARMER UPPER GRID 2GR	2GRUPPI / 2GROUPS
1B	10047114E	GRIGLIA SUPERIORE SCALDATAZZE 3GR	CUP WARMER UPPER GRID 3GR	3GRUPPI / 3GROUPS
2A	10455046A	RESISTENZA SCALD.RM-OP 2GR 230V 200W	CUP WARMER HEATING ELEMENT 200W 2GR	2GRUPPI / 2GROUPS
2B	10455048A	RESISTENZA SCALD.OP 3GR 230V 250W C.GUA.	CUP WARMER HEATING ELEMENT 250W 3GR	3GRUPPI / 3GROUPS
3A	10046118B	FERMATAZZE FILO F18 2GR LUCIDO	REAR CUP STOP 2GR	2GRUPPI / 2GROUPS
3B	10047118C	FERMATAZZE FILO F18 3GR LUCIDO	REAR CUP STOP 3GR	3GRUPPI / 3GROUPS
4	10086253	FERMATAZ LAM SX F18SB2-3GR V.NERO OPACO	MATT BLACK LEFT CUP STOP F18SB2-3GR	
5	10086249	FERMATAZ LAM DX F18SB2-3GR V.NERO OPACO	MATT BLACK RIGHT CUP STOP F18SB2-3GR	
6A	10086241	VASCA SCALDATAZZ F18SB2GR	CUP WARMER TANK 2GR	2GRUPPI / 2GROUPS
6B	10087241	VASCA SCALDATAZZ F18SB3GR	CUP WARMER TANK 3GR	3GRUPPI / 3GROUPS
7	10111010	TERMOST.90° AUTOM.M4 +-3+DIFF.8°	AUTOMATIC THERMOSTAT 90°	
8	10114656	NOTTOLINO FISS.TERMOST.ST F18SB	PLANE WASHER D4X16X1,5	
9A	10103160B	CABL.F18SB 2G 220-380 CB	WIRING 2GR F18SB	2GRUPPI / 2GROUPS
9B	10103162C	CABL.F18SB 3G 220-380 CB	WIRING 3GR F18SB	3GRUPPI / 3GROUPS
10	10809011	DADO 4MA FLANG.ZIGR. A2	M4 FLANGED NUT A2	
11	10805027A	VITE TBL+ M4X10 A2 LUCIDE T/T PH2	TBL+ M4X10 A2 SCREW	
12	10803344	VITE TSP+ M4X10 ZN UNI 7688	TSP+ SCREW M4X10 ZN UNI 7688	
13	10114651	BOCCOLA ANTISTRISC.TORN.ST F18	ANTI SLIDING BUSHING CUP WARMER F18SB	
14A	10086244	PROFILO SCALDATAZ F18SB2GR V.NERO OPACO	CUP WARMER PROFILE 2GR MATT BLACK	2GRUPPI / 2GROUPS
14B	10087244	PROFILO SCALDATAZ F18SB3GR V.NERO OPACO	CUP WARMER PROFILE 3GR MATT BLACK	3GRUPPI / 3GROUPS
15	10805036	VITE TC+ M4x35 ZN	SCREW TC+M4X35 ZN	
16	10402478	GRIGLIA SCTZ PLAST.NERA F18	CUP WARMER GRID F18SB	

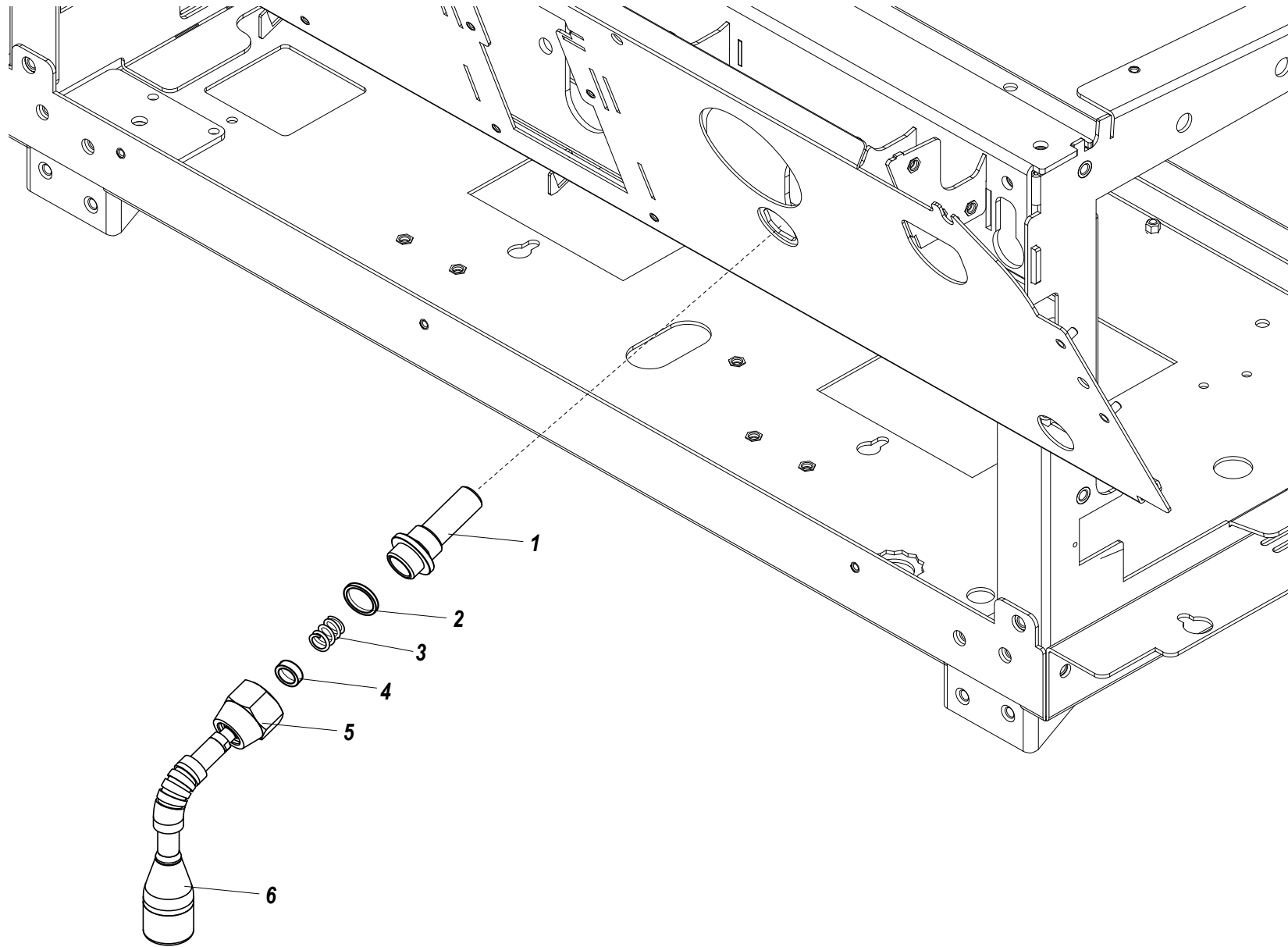


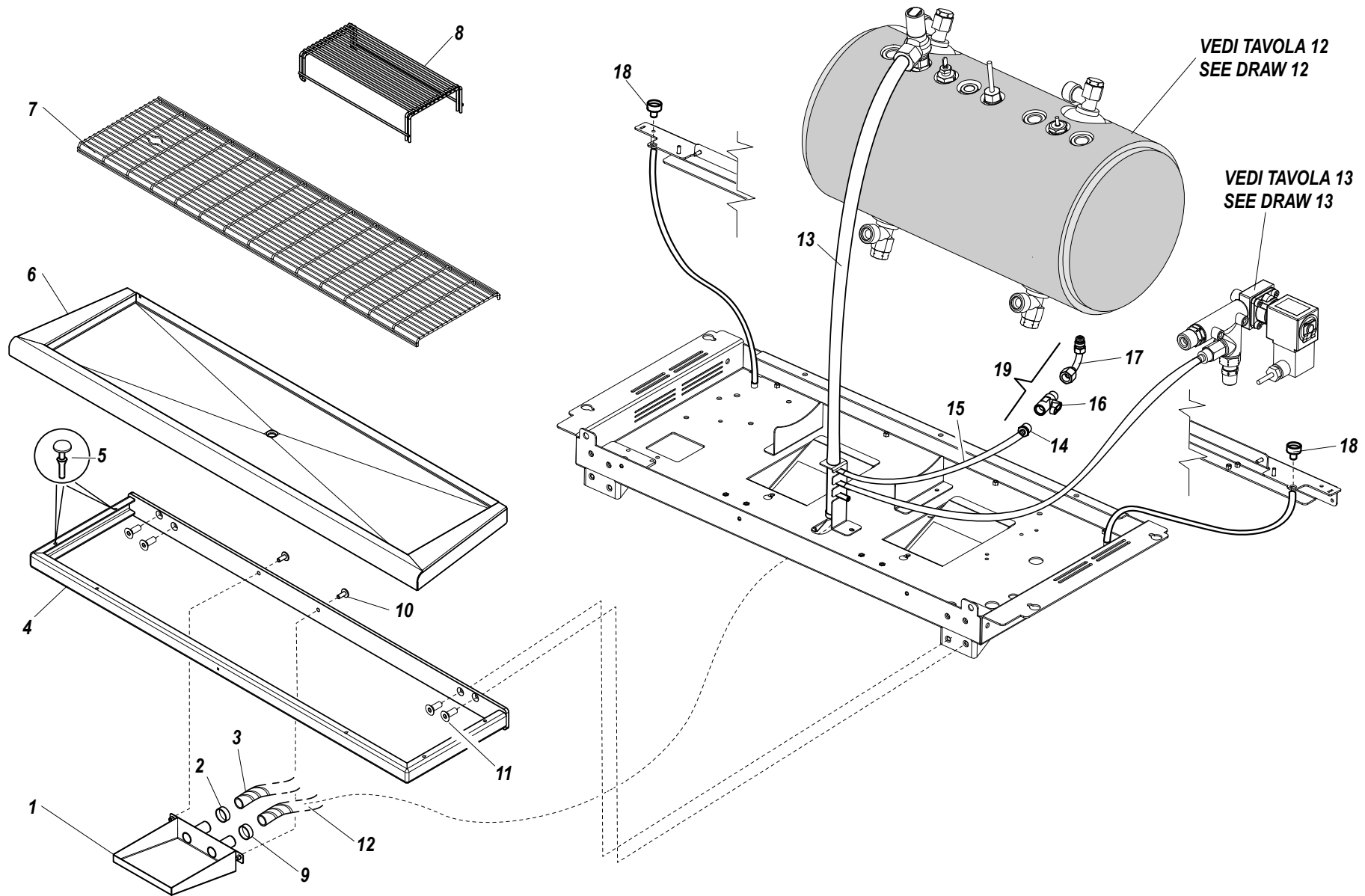


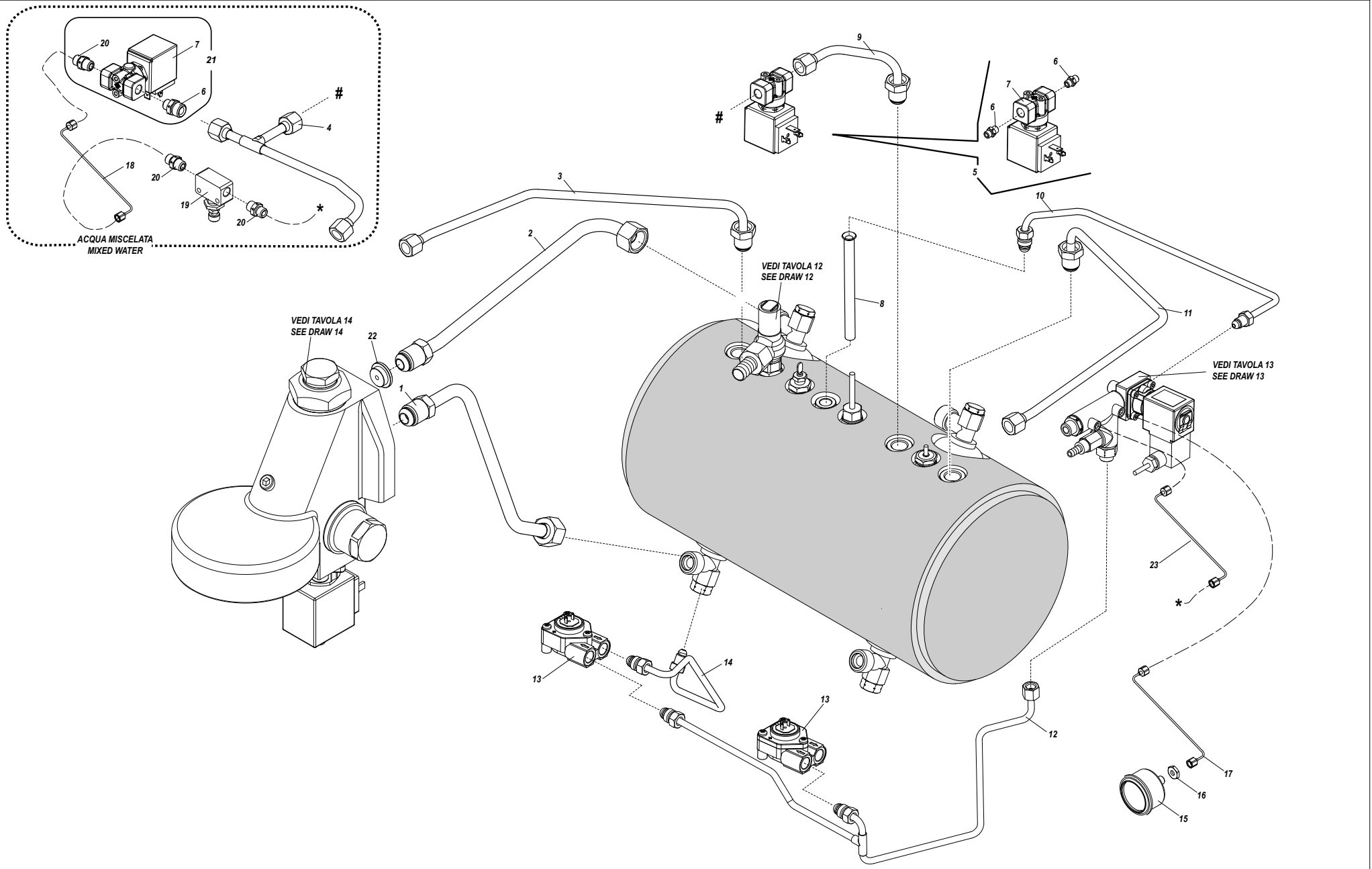


RIF. POS.	CODICE CODE	DESCRIZIONE	DESCRIPTION	NOTE NOTES
1	10092162B	TAPPO MANOPOLA	KNOB CAP	
2	10802516	DADO M6 AUTOBLOCCANTE CON INSERTI IN METALLO	M6 SELF-BLOCKING NUB WITH METAL INSERT	
3	10403018	CUSCINETTO RUB.VAP.F18 626-2RS1-NAZ	F18 STEAM TAP BEARING 626-2RS1-NAZ	
4	10092171	MANOPOLA VAPORE	STEAM KNOB	
5	10803522	MOLLA A TAZZA G 1/2"	CUP SPRING F 1/2"	
6	10402028A	DADO G 1/2"	G 1/2" NUB	
7	10086044	PIASTRA FIX TUBO CAMICIA RUB.VAP.	FIX PLATE SLEEVE TUBE STEAM TAP	
8	10403102B	TUBO CAMICIA LANCIA VAPORE	STEAM WAND SLEEVE TUBE	
9	10403101A	RUBINETTO G 1/2	G 1/2" TAP	
10	10403024	SUPPORTO ASTA/MANOPOLA RUBINETTO G 1/2"	SUPPORTING ROD / TAP KNOB G 1/2"	
11	10505067	OR 2010 D.2,57x1,78 NBR	O-RING 2010 DE 2,57x1,78	
12	10852212	RONDELLA HOV IN RAME G 1/2"	HOV COPPER WASHER G 1/2"	
13	10505074	OR 2025 D6,07X1,78 VITON FDA	O-RING 2025 DE 6,07X1,78	
14	10403008	GUIDAMOLLA RUBINETTO G 1/2"	TAP SPRING GUIDE G 1/2"	
15	10402014	MOLLA RUBINETTO G 1/2	TAP SPRING G 1/2"	
16	10403016	ASTA RUBINETTO G 1/2"	TAP ROD G 1/2"	
17	10505558	GUARNIZIONE ASTA RUBINETTO G 1/2"	TAP ROD SEAL G 1/2"	
18	10403002B	CORPO CENTRALE RUBINETTO G 1/2"	TAP CENTRAL BODY G 1/2"	
19	10853030	RONDELLA RAME G 1/8"	COPPER WASHER G 1/8"	
20	10402881	TAPPO G1/8"	G1/8" CAP	
21	10805069	VITE TBEI M3X10 A2	SCREW TBEI M3X10 A2	
22	10402744	GUARNIZIONE IN PTFE LANCIA VAPORE	STEAM WAND PTFE SEAL	
23	10853394B	PROLUNGA LANCIA VAPORE	STEAM WAND EXTENTION	
24	10402742	MOLLA LANCIA VAPORE	STEAM WAND SPRING	
25	10402741	SCODELLINO/GUIDAMOLLA PEEK LANCIA VAPORE	CUP / STEAM WAND PEEK SPRING GUIDE	
26	10402736	GUARNIZIONE SNODO LANCIA VAPORE	STEAM WAND JOING SEAL	
27A	10402488A	GETTO LANCIA VAPORE 4 FORI D1,5	STEAM WAND JET 4 HOLES D1,5	
27B	10402489A	GETTO LANCIA VAPORE 4 FORI D1,3	STEAM WAND JET 4 HOLES D1,3	
28A	10402730A	LANCIA VAPORE 2-3GR	STEAM WAND 2-3GR	
28B	10402731A	LANCIA VAPORE F18 TALL COOL TOUCH	TALL VERSION STEAM WAND 2-3GR	VERSIONE TALL / TALL VERSION
29	KREVRUBF18A	KIT REVISIONE RUB.VAP.F18 02/03/2021	REVIEW F18 STEAM TAP KIT 02/03/2021	
30	10853395	PROLUNGA LANCIA VAP.NOCOLDTOUCH F18SB	STEAM WAND EXTENTION NO COLDTOUCH F18SB	





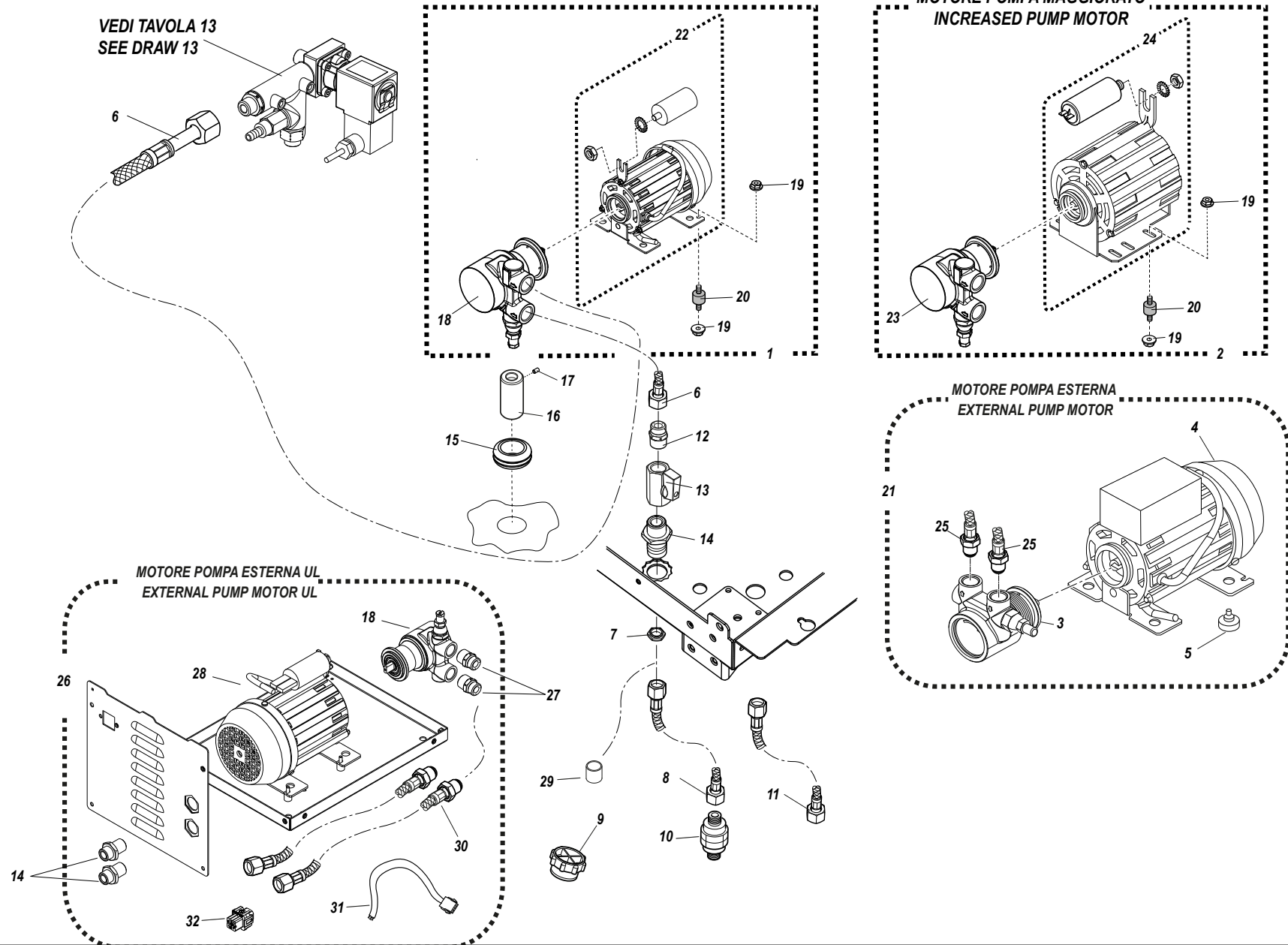






RIF. POS.	CODICE CODE	DESCRIZIONE	DESCRIPTION	NOTE NOTES
1	10006102B	TUBO SCAMBIATORE INF F18SB 2-3GR	LOWER EXCHANGER PIPE F18SB 2-3GR	
2	10006100B	TUBO SCAMBIATORE SUP F18SB 2-3GR	UPPER EXCHANGER F18SB 2-3GR	
3A	10006104A	TUBO VAPORE SX F18SB 2GR	LEFT STEAM PIPE F18SB 2GR	2GRUPPI / 2GROUPS
3B	10006204A	TUBO VAPORE SX F18SB 3GR	LEFT STEAM PIPE F18SB 3GR	3GRUPPI / 3GROUPS
4	10006126B	TUBO USCITA H2O MISC.F18SB	MIXED WATER OUTLET PIPE F18SB	
5	10041348	ASSIEME ELETTROVALVOLA ACQUA CALDA	HOT WATER SOLENOID VALVE ASSEMBLY	
6	10857050B	RACCORDO 8-1/8" DRITTO MAS.OT57	STRAIGHT FITTING 8-1/8	
7	10303169	ELET.2V.1/8"230V V.0-10B OT57 VDE/UL	2 WAY SOLENOID VALVE 1/8 230V SIRAI	
8	10006128	TUBO CARTELLATO D.8 1/4 F18SB	FLARED PIPE D8 1/4 F18SB	
9	10006108A	TUBO PRELIEVO H2O F18SB	WITHDRAW WATER PIPE F18SB	
10	10006114A	TUBO CARICO CALDAIA F18SB	FILL BOILER PIPE F18SB	
11	10006106A	TUBO VAPORE DX F18SB	RIGHT STEAM PIPE F18SB	
12A	10006116B	TUBO CARICO VOLUMETRICO F18SB 2GR	VOLUMETRIC FILL PIPE F18SB 2-3GR 1	
12B	10006216A	TUBO CARICO VOLUMETRICO F18SB 3GR	VOLUMETRIC FILL PIPE F18SB 3GR	3GRUPPI / 3GROUPS
12C	10006217	TUBO CAR.VOLUM.DX F18SB 3GR	RIGHT VOLUMETRIC FILL PIPE F18SB 3GR	3GRUPPI / 3GROUPS
13	10112282B	CONTATORE VOL.1/4"+17,1 ATT.OG.OT57	VOLUMETRIC METER 1/4	
14	10006118C	TUBO USCITA VOLUMETRICO F18SB 2-3GR	VOLUMETRIC OUTLET PIPE F18SB 2-3GR	
15	10552042C	MANOMETRO PR.CALD.0-2,5 SR S/STF-DA.OT57	BOILER PRESSURE GAUGE	
16	10805594A	DADO E22 1/8" OT. FISS.MANOMETRO	NUT E22 1/8"	
17	10002021A	TUBO CAPILL.COMP.MAN.PR.CALD.	CAPILLARY BOILER TUBE	
18	10002028A	TUBO CAPILL.CA-VR MAN.PRES.CALD.	PRESSURE SENSOR-BOILER CAPILLARY TUBE	
19	10852324	REGOLATORE RFO 1/8"FF VIT.	FLOW REGULATOR	
20	10857080A	RACCORDO 6-1/8" DRITTO MASC.OT57	STAIIGHT FITTING 6-1/8	
21	10041346	ASSIEME ELETTROVALVOLA ACQUA FREDDA	COLD WATER SOLENOID VALVE ASSEMBLY	
22A	13052190	GIGLEUR F.2 E61 OT57	GIGLEUR E61 D2 CW510L	
22B	13052192	GIGLEUR F.2.5 E61 OT57	GIGLEUR E61 D2,5 CW510L	
22C	13052194	GIGLEUR F.3 E61 OT57	GIGLEUR E61 D3 CW510L	
23	10002026A	TUBO CAPILL.COMP.MAN.PR.CALD.AM OG.OT57	SENSOR-BOILER CAPILLARY TUBE L820	

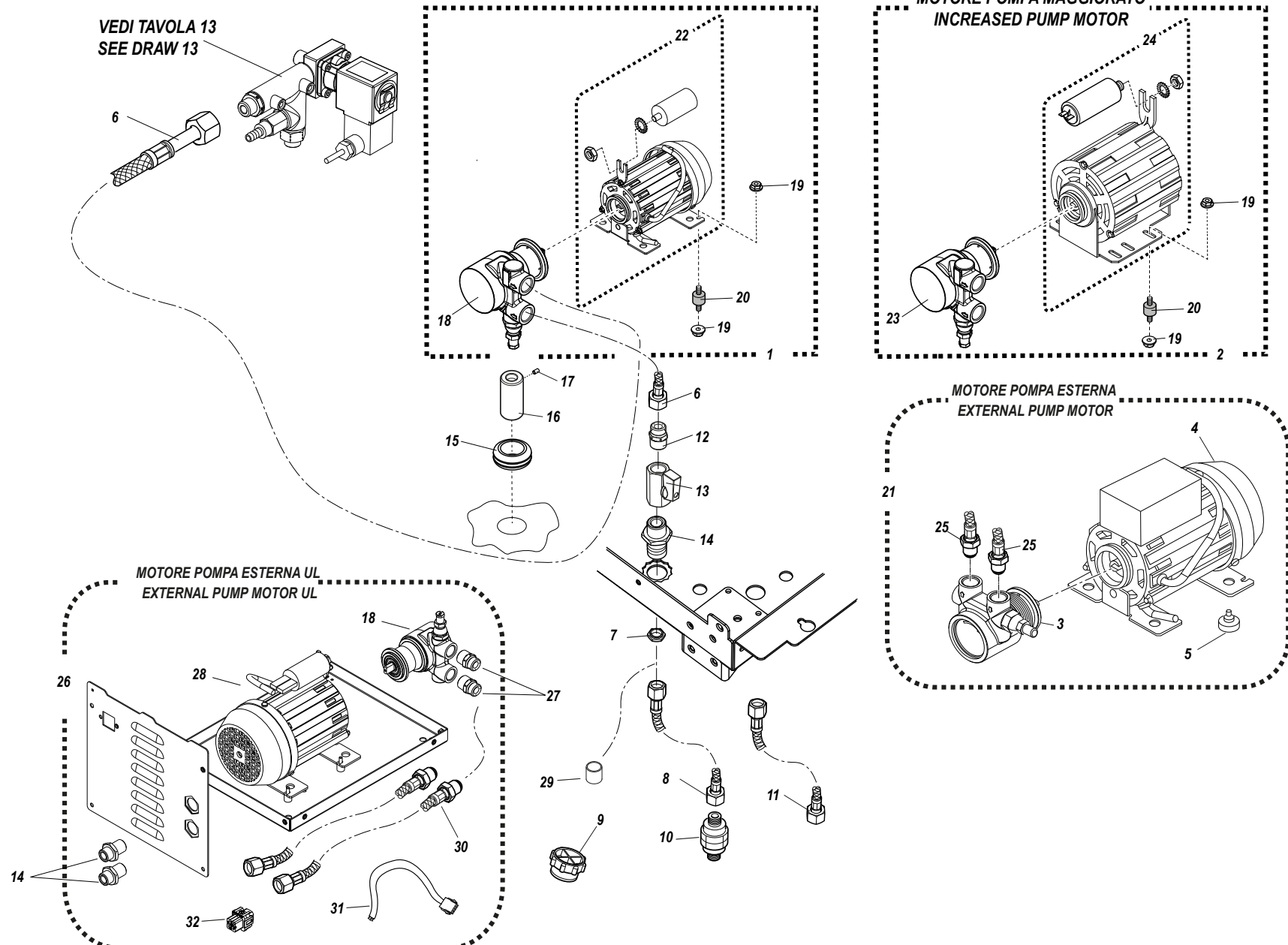
VEDI TAVOLA 13
SEE DRAW 13

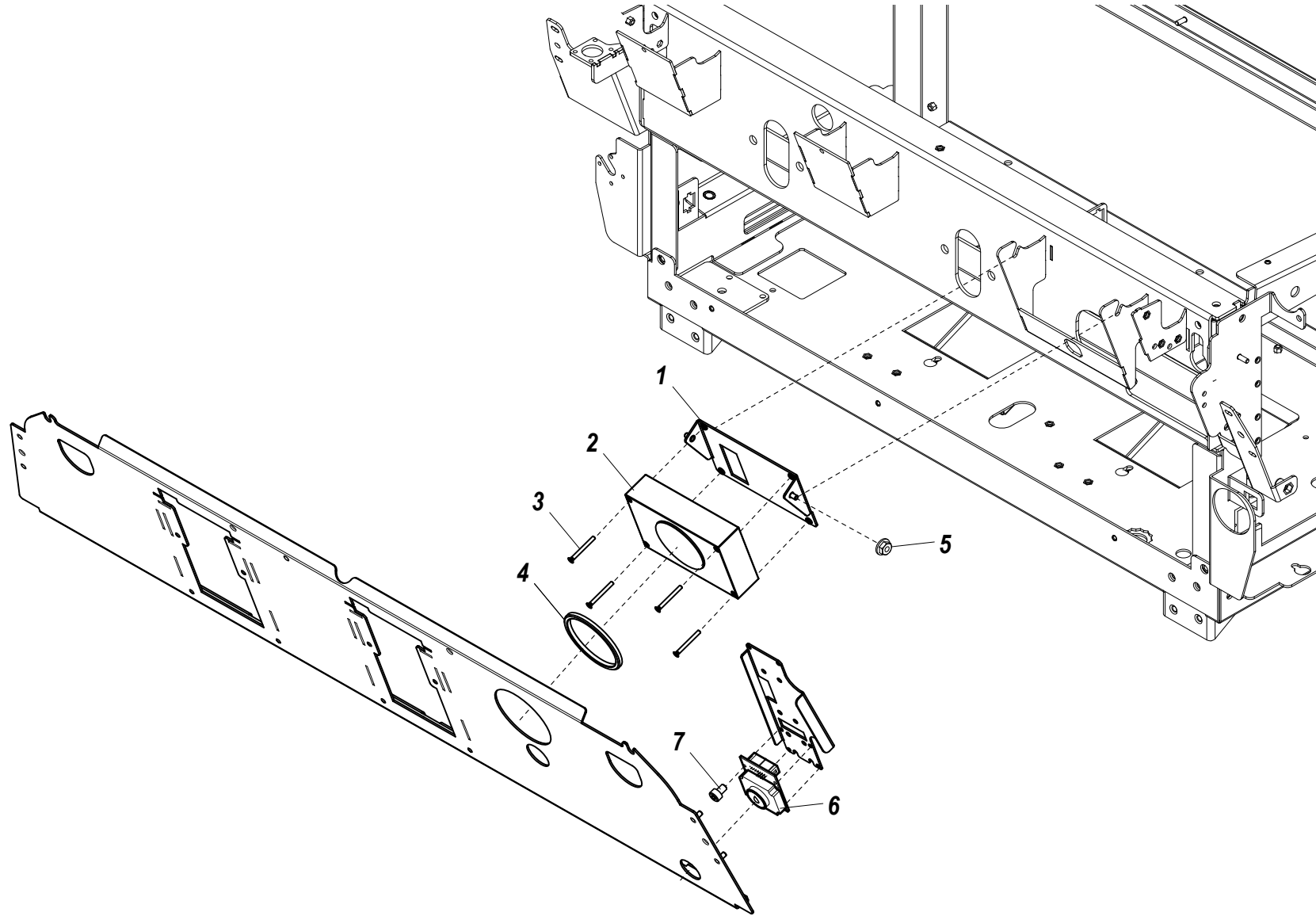




RIF. POS.	CODICE CODE	DESCRIZIONE	DESCRIPTION	NOTE NOTES
1A	10041302	ASS.POMPA INT.F18SB 2-3G	INTERNAL PUMP ASSEMBLY F18SB 2-3GR	
1B	10041304	ASS.POMPA INT.F18SB 2G UL	INTERNAL PUMP ASSEMBLY F18SB 2GR UL	UL VERSION
2A	10041353	ASS.POMPA INT.F18SB 2-3G MAGGIORATO	INTERNAL BOOST.PUMP ASSEMBLY F18SB 2-3GR	
2B	10039314	ASS.POMPA INT.F18SB 2-3G MAGGIORATO UL	INTERNAL BOOST.PUMP ASSEM.F18SB 2-3GR UL	UL VERSION
3	10252152	POMPA COMPACT MB0204 200L/H AT.OG.ECOB.	ROTATIVE PUMP 200L/H	
4	10252099	MOTORE EL.150W 230V VENT.CH.123G CB PE	ELECTRIC MOTOR 150W 230V	
5	10352058	PIEDINO MOD.GOCCIA E POMPA EST.NERO	EXTERNAL PUMP FOOT	
6	10852587	TUBO TRAZ.D1/4F DR.3/8"NIP.CRVA.	WATER LOAD HOSE D1/4F DR.3/8"	
7	10805585	DADO NI E22 Sp4X3/8"XH6Xd18,5	EXAGONAL NUT 22 4X3/8 XH6XD18,5	
8	10852585	TUBO TRAZ.3/8FD-3/8F90° L2000 IEC+OT57	TRACTION TUBE L= 2000 3/8F 3/8F90°	NOT FOR UL VERSION
9	10351134	TAP.LDPE TRAS.PER TUBO TRAZ.3/8"M	CAP 3/8"M FOR TRACTION TUBE	
10	10355150A	FILTRO POMPA A.F/M3/8" OTT.510L	PUMP FILTER 3/8" FITTING	
11	10852586	TUBO TRAZ.L.500 F.3/8+F.3/8 DN6 IEC+OT57	3/8"FF L500 TRACTION TUBE	NOT FOR UL VERSION
12	10857294	RACCORDO DRITTO 8-3/8"M OT57	STRAIGHT FITTING M/M 8 - G 3/8"	
13	10401432	RUBINETTO RE.VAP.3/8"FF CW511L 150°	TAP 3/8"FF CW511L 150°	
14	10033792B	RACC.DRITTO ATT.CAR.CR-OP AISI303 ALL.	STRAIGHT LOAD FITTING	
15	10112946	PASSACAVO PER REGOLAZIONE POMP. F18	PUMP REGOLATION RUBBER PIN	
16	10853518	PERNO REGOLAZ.POMPANTE F18 OT58	PUMP REGOLATION PIN KNOB	
17	10806038	GRANO M4X4 A2	GRAIN M4X4 A2	
18A	10252150	POMPA ROT.PA0154 150L NSF 9B 3/8"GAS	ROTARY PUMP 150L 9BAR 3/8GAS	X BPE18SB2UL UL VERSION
18B	10252072D	POMPA ROT.MOD.PA0204 NSF 9B 3/8"GAS	ROTARY PUMP 200L 9BAR 3GR	X BPE18SB3UL UL VERSION
19	10809011	DADO 4MA FLANG.ZIGR.ZN CL8	M4 FLANGED NUT	
20	10255022	ANTIVIBR.45SH PUFFER D10X10 M4XH10	ANTIVIBRATION 45SH D10X10 M4XH10	
21	KITPOMPAEST	KIT POMPA ESTERNA F18 2-3GR	EXTERNAL PUMP KIT 2-3GR	
22A	10252098B	MOTORE EL.130W 230V 4P VEN.1-2 CB	ELECTRIC MOTOR 130W 230V	
22B	10252092A	MOTORE EL.150W UL MON.SEMIAP.C/CUSC.230V	ELECTRICAL MOTOR 150W	UL VERSION
23	10252152	POMPA COMPACT MB0204 200L/H	ROTARY PUMP 200L/H	
24A	10252095A	MOTORE EL.150W 230V	ELECTRIC MOTOR 150W 230V	
24B	10252252	MOTORE 330W 230V F18 2-3GR UL C.COND	ELECTRIC MOTOR 330W 230V	UL VERSION
25	10852594C	TUBO TRAZ.D3/8F D3/8M 2MT	WATER LOAD HOSE L=2mt D3/8F D3/8M	
26A	BPE18SB2UL	BOX POMPA EST.F18SB2 UL-NSF	EXTERNAL PUMP KIT 2GR UL	UL VERSION
26B	BPE18SB3UL	BOX POMPA EST.F18SB3/2MAGG.UL-NSF	EXTERNAL BOOSTED PUMP KIT 2-3GR UL	UL VERSION
				SEGUE / CONTINUE ---->

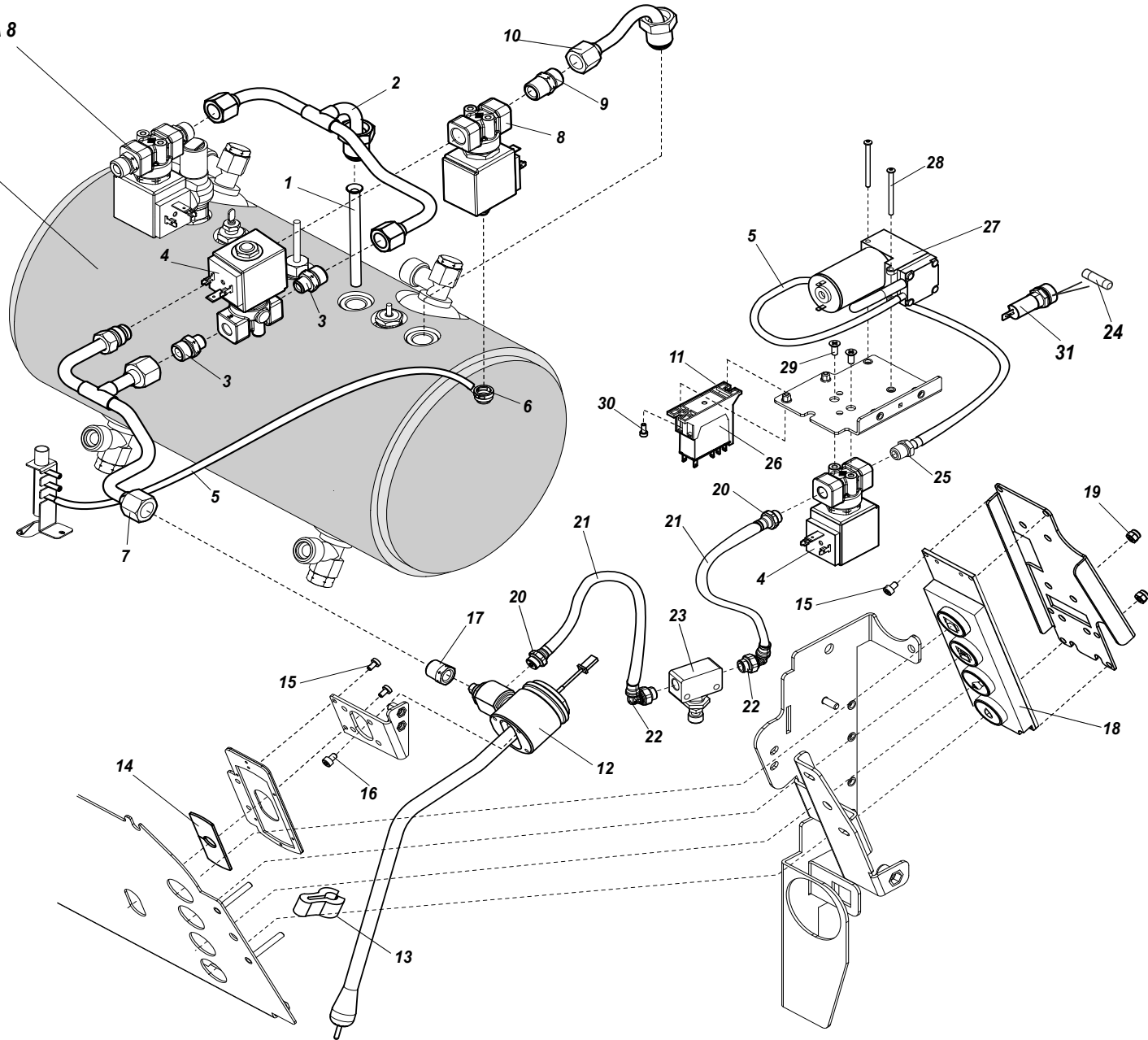
VEDI TAVOLA 13
SEE DRAW 13





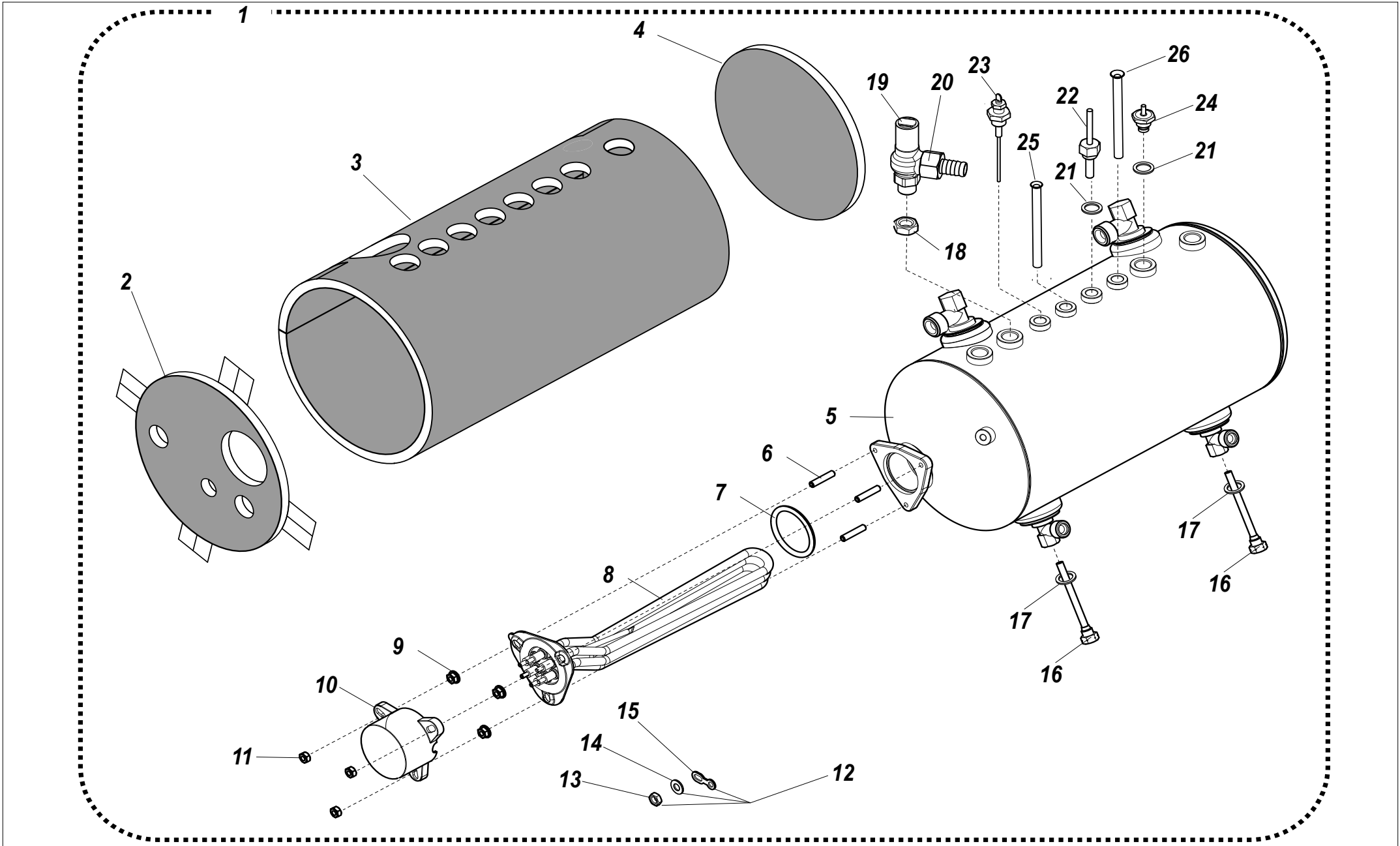
VEDI TAVOLA 8
SEE DRAW 8

VEDI TAVOLA 12
SEE DRAW 12





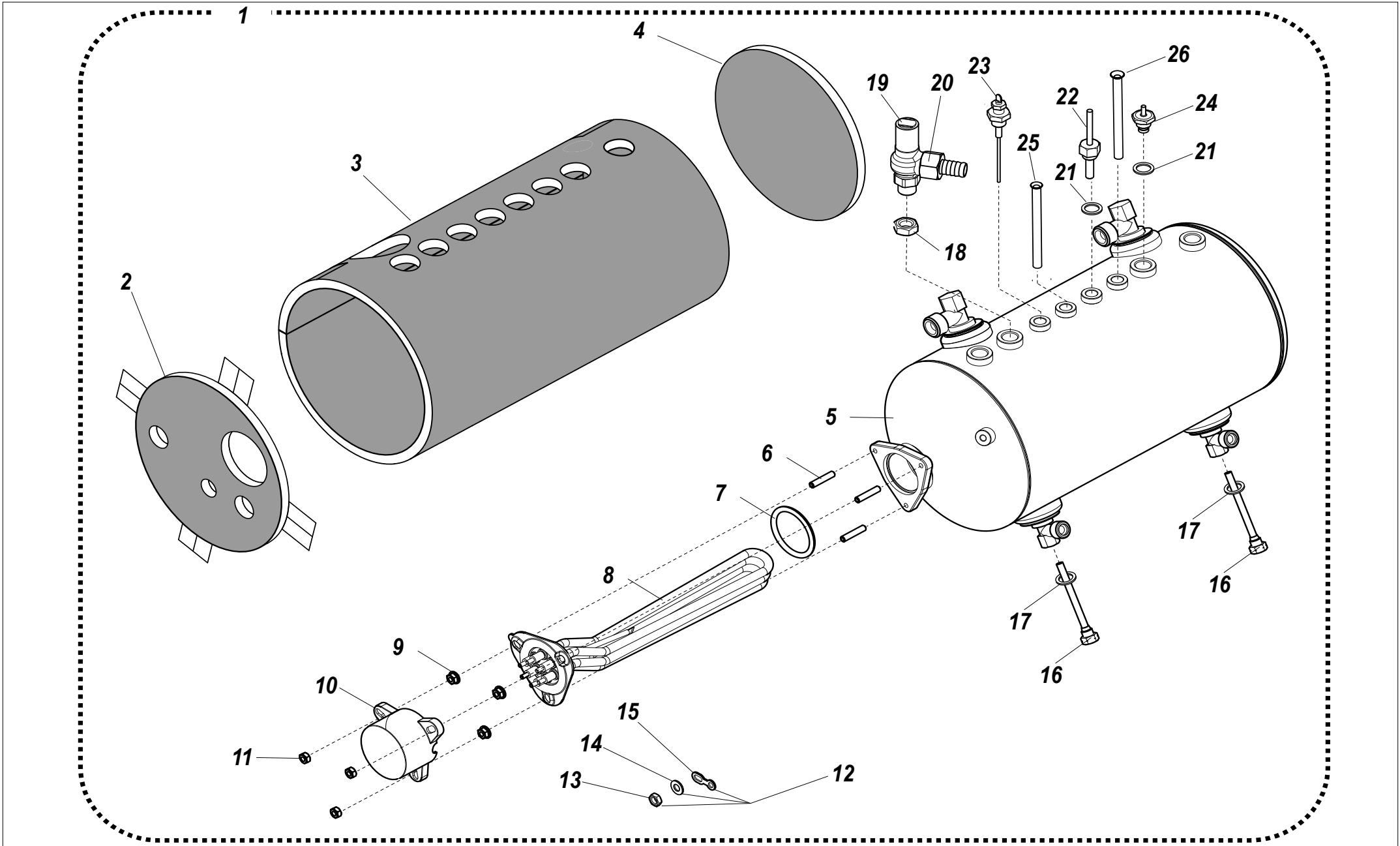
RIF. POS.	CODICE CODE	DESCRIZIONE	DESCRIPTION	NOTE NOTES
1	10003302	PESCANTE ZOE KOMP.TUBO CARTEL. D.8	INLET TUBE D8	
2	10006120B	TUBO PRELIEVO H2O TVC F18SB 2-3GR	WITHDRAW TVC WATER PIPE F18SB 2-3GR	
3	10857050B	RACCORDO 8-1/8" DRITTO MAS.OT57	STRAIGHT FITTING 8-1/8"	
4	10303169	ELETTR.2V.1/8"230V VIT.0-10B OTT.	2 WAY SOLENOID VALVE 1/8 230V	
5	10905010	TUBO SILIC.TRAS.7X4 MT	TRANSPARENT SILICON TUBE 7X4	
6	10255028A	RACCORDO GOMITO GIR.F1/8 C/PORT.	REVOLVING ELBOW FITTING F 1/8	
7A	10006124B	TUBO USC.EV H20/VAP TVC F18SB2GR	OUTLET WATER/STEAM TVC PIPE F18SB 2GR	2GRUPPI / 2GROUPS
7B	10006224A	TUBO USC.EV H20/VAP TVC F18SB3GR	OUTLET WATER/STEAM TVC PIPE F18SB 3GR	3GRUPPI / 3GROUPS
8	10302070	ELETTR.3VIE 1/4X3,2 230V 50HZ VDE/UL	3 WAY SOLENOID VALVE 1/4X3,2 230V 50HZ	
9	10855032C	RACC.DR.M1/4"+M1/4"CON.X8 OT57	1/4M-1/4M STRAIGHT FITTING	
10	10006122B	TUBO PRELIEVO VAPORE TVC F18SB	WITHDRAW STEAM TVC PIPE F18SB	
11	10112634	ZOCCOLO 046.05 RELE'POT.FIND.	ENHANCED RELAY SOCKET 046.05	
12A	10403020	LANCIA VAP/AR.304 NTC3K3 F18	TVC STEAM WAND 2-3GR	
12B	10403021	LANCIA VAP/AR.304 NTC3K3 F18 TA	TALL TVC STEAM WAND 2-3GR	VERSIONE TALL / TALL VERSION
13	10753056	GOMMINO ANTISC.A PINZA	TVC WAND NO SLIP RUBBER	
14	10046330A	TAMPONAMENTO LANCIA TVC F18 2-3GR	PLUGGING PTFE TVC 2-3GR	
15	10805126	VITE TC+ M3X6 A2 UNI 7687	TC+ M3 x 6 A2 SCREW	
16	10805177	VITE TBL- M4X6 A2	TBL- M4X6 A2 SCREW	
17	10857518	RACCORDO RID.1/8F-1/4M OT57 C/SM.	REDUCTION CYLINDRICAL FITTING 1/4M-1/8F	
18	10114678	PULSANTIERA 4TAS.D22+LED	4 BUTTONS KEYBOARD D22+LED	
19	10805627	DADO M4 AUTOBLOCCANTE	SELF-LOCKING M4 NUT	
20	10853204A	RACC. RAP.DRITTO 4X1/8M OR VITON OT57	RAPID STRIGHT FITTING 4X1/8M	
21	10909020	TUBO D4X2.5 TEFLON +-0,05MM FDA-NSF	TEFLON TUBE D4X2,	
22	10853210	RACC.L RAP.4X1/8" OR VIT.GIR.OT57	L QUICK COUPLING 4X1/8"	
23	10852340	ASSIEME REG.FLUSSO CW510L	FLOW REGULATOR CW510L	
24	10111170	FUSIBILE VET. 0,16AT 5X20 250V VDE-UL	GLASS FUSE 0.16AT 5X20 250V VDE-UL	AUTOSTEAMER ONLY (F2)
25	10853068C	RACC.DR.PORTAG.D.7 1/8"M CON.OT57	RUBBER HOLDER STRAIGHT FITTING 1/8M	
26	10112632	RELE'POT.230VAC CONT.SPDT16A FIND.	RELÈ 230VAC SPDT16A	
27	10255087	COMPRESSORE A PISTONE 8003D DC 24V 7,5W	COMPRESSOR 8003D 24V 7,5W	
28	10805152	VITE TC+ M3X40 A2 UNI 7687	TC+ M3X40 A2 SCREW	
29	10803344	VITE TSP+ M4X10 A2 UNI 7688	TSP+ M4 x 10 SCREW	
30	10805054	VITE TC+ M3X10 A2 UNI 7687	SCREW TC+ M3X10 A2	
31	10111094	CORPO PORTAFU.5X20MM TER.3/16"	FUSE HOLDER 5X20	

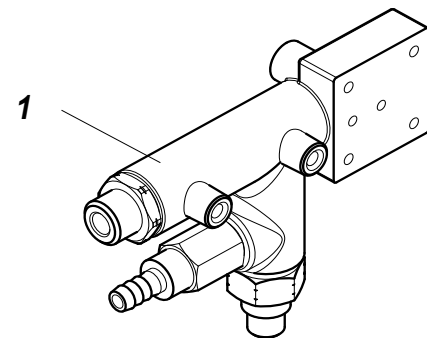
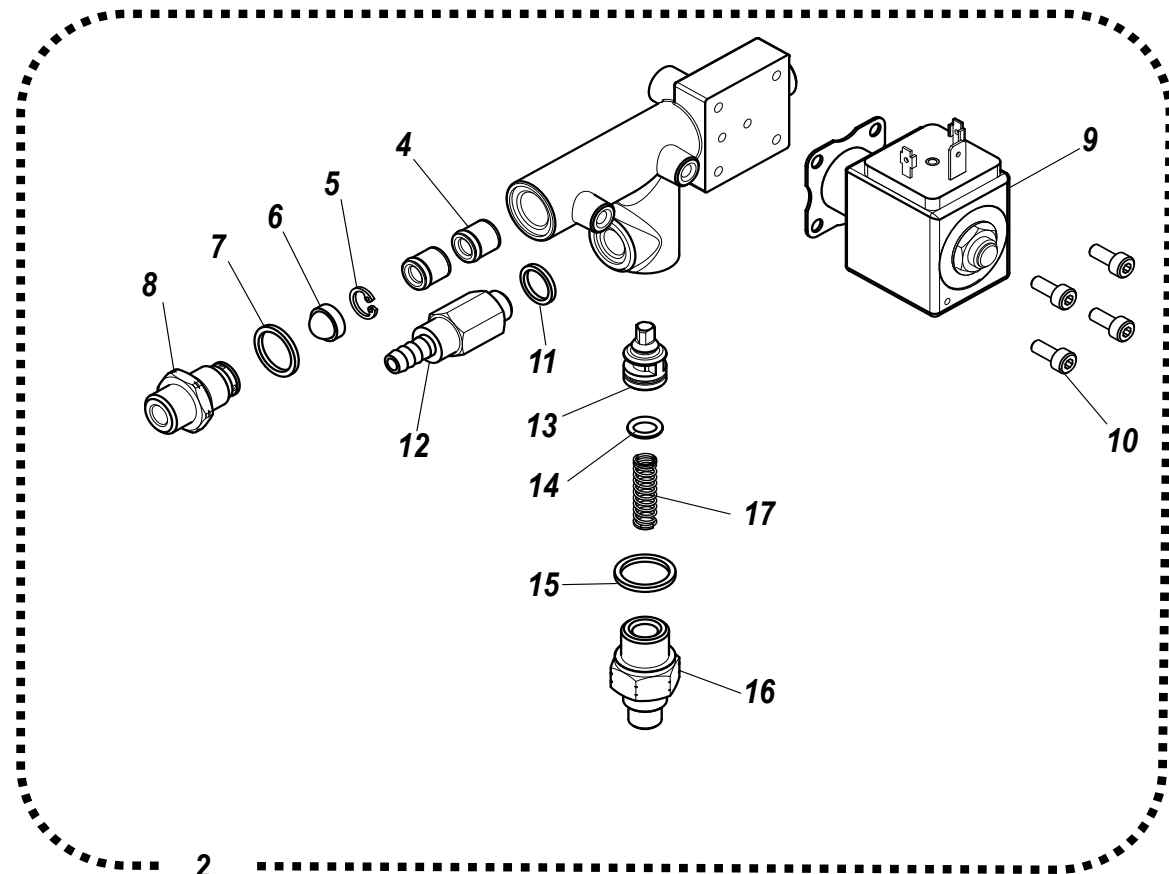


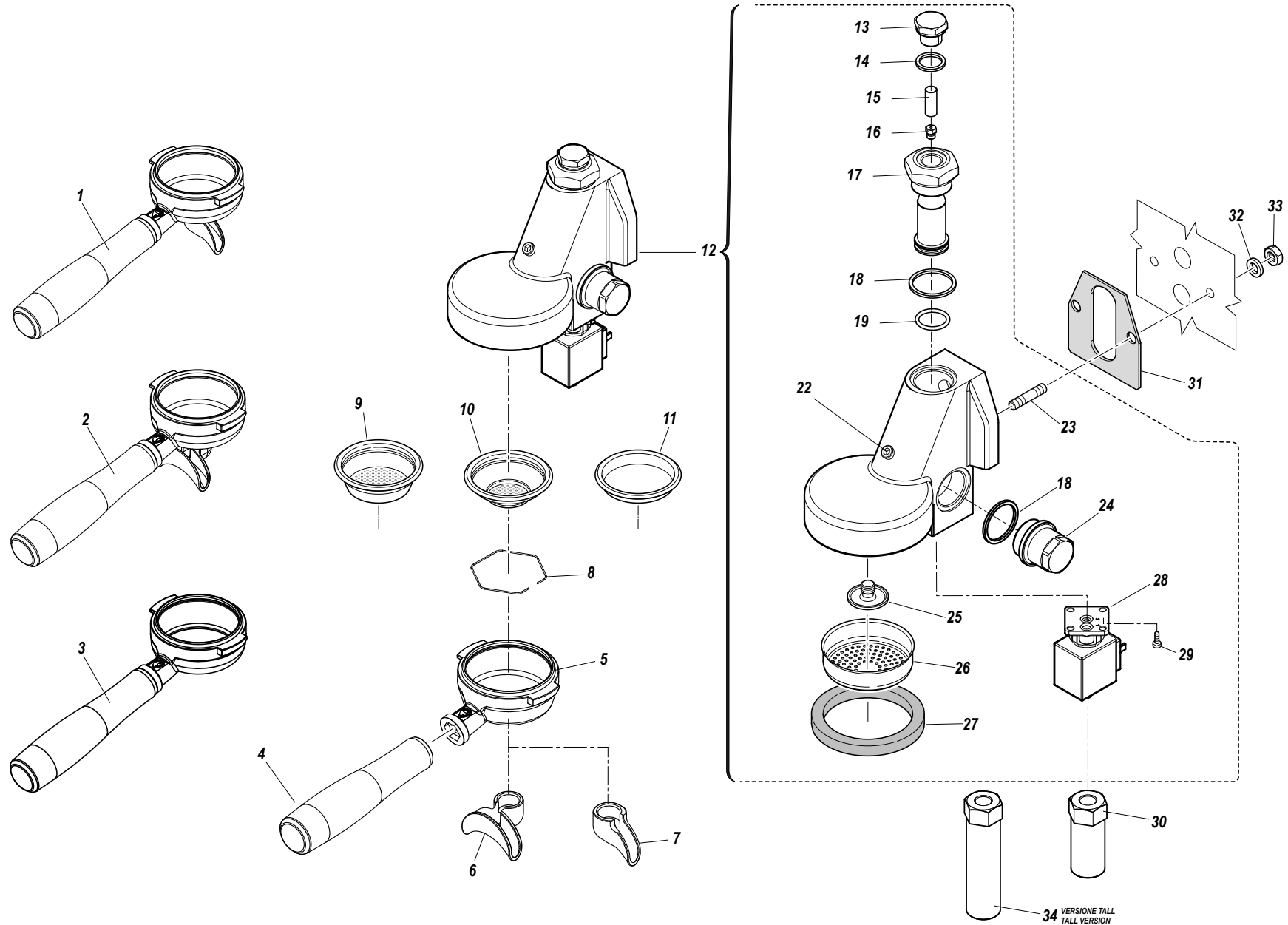


RIF. POS.	CODICE CODE	DESCRIZIONE	DESCRIPTION	NOTE NOTES
1A	10041310	ASS.CALD.F18SB 2GR SED 2700W	BOILER F18SB 2GR 2700W ASSEMBLY	2GRUPPI / 2GROUPS
1B	10041312	ASS.CALD.F18SB 2GR SED 4000W	BOILER F18SB 2GR 4000W ASSEMBLY	2GRUPPI / 2GROUPS
1C	10041314	ASS.CALD.F18SB 2GR SED 4500W	BOILER F18SB 2GR 4500W ASSEMBLY	2GRUPPI / 2GROUPS
1D	10041320	ASS.CALD.F18SB 3GR SED 5100W	BOILER F18SB 3GR 5100W ASSEMBLY	3GRUPPI / 3GROUPS
1E	10041322	ASS.CALD.F18SB 3GR SED 6000W	BOILER F18SB 3GR 6000W ASSEMBLY	3GRUPPI / 3GROUPS
2	10025674A	ISOL.ISOSOL-EC FOND.RES.CAL.F18SB D190	LEFT BOILER INSULATON F18SB	
3A	10025670A	ISOL.ISOSOL-EC CALD.F18SB 2GR D190	BODY BOILER INSULATION F18SB 2GR	2GRUPPI / 2GROUPS
3B	10025672A	ISOL.ISOSOL-EC CALD.F18SB 3GR D180	BODY BOILER INSULATION F18SB 3GR	3GRUPPI / 3GROUPS
4	10025676A	ISOL.ISOSOL-EC FOND.DX.CAL.F18 D190	RIGHT BOILER INSULATION F18SB	
5A	10004914A	CALDAIA RA.2 D190 12L FLANG.TR.	BOILER 12L D190	2GRUPPI / 2GROUPS
5B	10004916A	CALDAIA RA.2 D190 18L FLANG.TR.	BOILER 18L D190	3GRUPPI / 3GROUPS
6	10806076	GRANO M6x30 A2 S/PUNTA	M6X30 GRUB A2	
7	10505140	OR 6187 D47X5,34 SIL.ROS.70SH FDA IR.	O-RING 6187 D47X5,34 RED SIL.70SH	
8A	10455280	RESIST.2700W 230V INC.+FL.TR.304 IR.	HEATING ELEMENT 2700W 230V TRIANG.INCOL.	2GRUPPI / 2GROUPS
8B	10455282	RESIST.4000W 230V INC.+FL.TR.304 IR.	HEATING ELEMENT 4000W 230V TRIANG.INCOL.	2GRUPPI / 2GROUPS
8C	10455240A	RESIST.4500W 230V INC.+FL.TR.304 IR.	HEATING ELEMENT 4500W 230V TRIANG.INCOL.	2GRUPPI / 2GROUPS
8D	10455284	RESIST.5100W 230V INC.+FL.TR.304 IR.	HEATING ELEMENT 5100W 230V TRIANG.INCOL.	3GRUPPI / 3GROUPS
8E	10455286	RESIST.6000W 230V INC.+FL.TR.304 IR.	HEATING ELEMENT 6000W 230V TRIANG.INCOL.	3GRUPPI / 3GROUPS
9	10809038	DADO 6MA FLANG.ZIGR.INOX A2 DIN6923	FLANGED NUT 6MA A2	
10	10455216	PROTEZ.CONTATTI RESIS.FLANG.TR.DH.	TRIANG.HEATING ELEMENT PROTECTION	
11	10809012	DADO 6MA FLANG.ZIGR.ZN CL8	FLANGED NUT 6MA	
12	KITPONDADRON	KIT PONTI DADI RONDELLA CALDAIA F18SB	NUT WASHER BRIDGE BOILER KIT F18SB	
13	10806054	DADO M4 RESIST.IRCA OT63 UNI5588	IRCA HEATING ELEMENT NUT M4	
14	10809024	ROND.D4,3x9x0,8OT.UNI6592 RES.REART	WASHER HEATING ELEMENT	
15	10106069	PONTE OTT.COLL.RESIST.IRCA	HEATING ELEMENT BRIDGE IRCA	
16	10042070	INIET.D.8 C/PTFE+RAC+NIPL L.21	INJECTOR D.8 L21 PTFE	
17	10852214	RONDELLA RAME HOV.1/4" D.14X18X2MM	COPPER WASHER HOV.1/4 D14X18X2MM	
18	10805572	DADO 3/8" ES22 H5 OTTONE	NUT 3/8 BRASS HEXAGONAL	
19	10652056B	VALVOLA DI SICUREZZA 1,8 Bar	1,8 Bar SECURITY VALVE	
20	10853132	RACCORDO DIRITTO PORTAGOMMA	F1/2 RUBBER HOLDER STRAIGHT FITING F1/2	
21	10852180	RONDELLA RAME 1/4" 13.5X19X1.5	COPPER WASHER 1/4 13,5X19X1,5	
22	10112178C	SONDA NTC 3.3K 100°1/4"M OT57+GUAI.4KV	NTC TEMP. SENSOR 1/4" M	

SEGUE / CONTINUE ---->



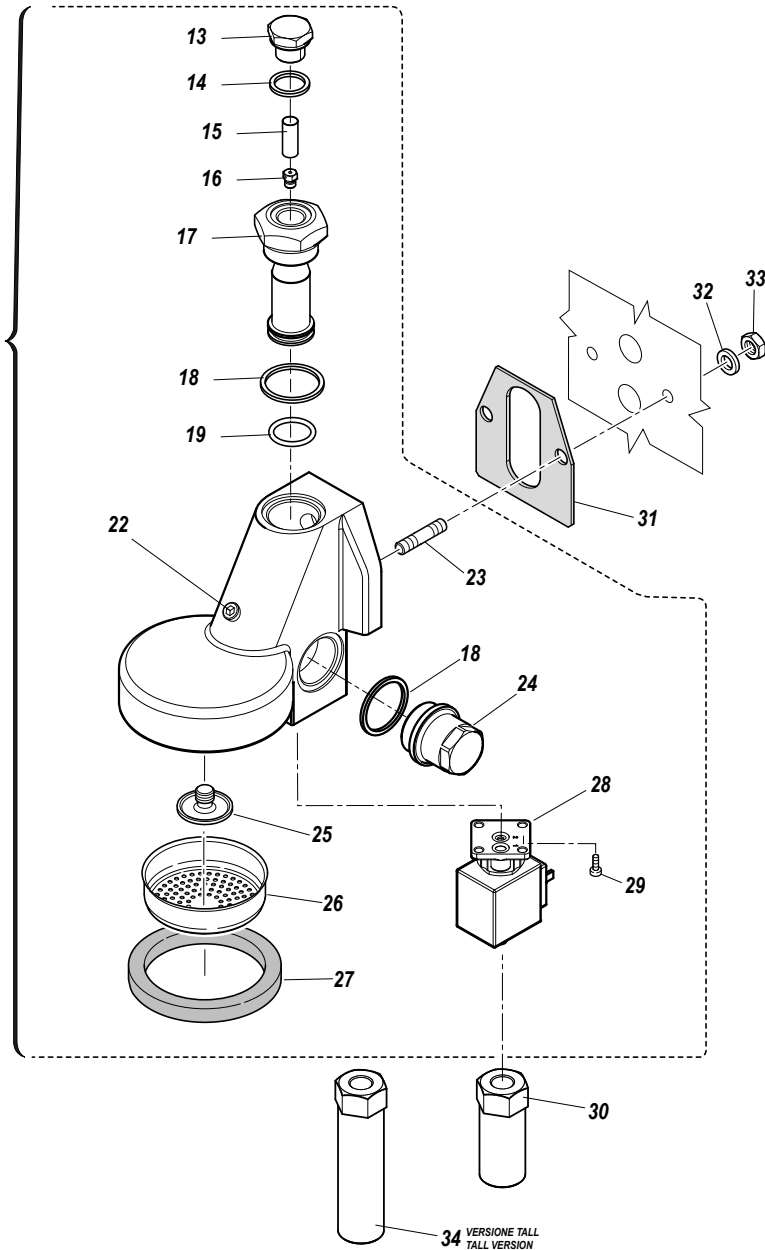
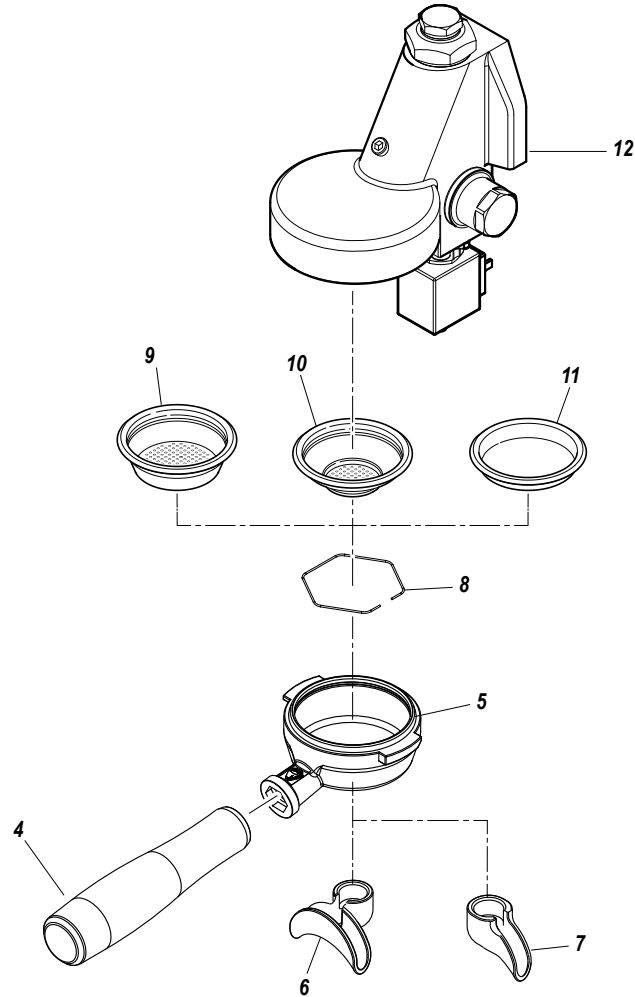
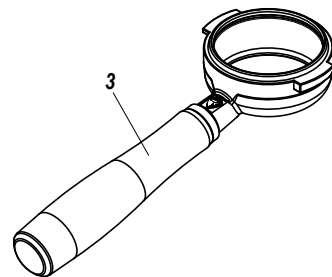
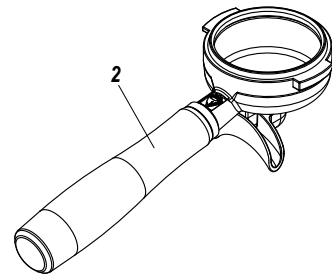
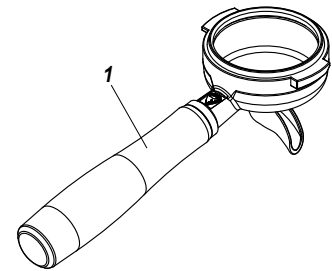


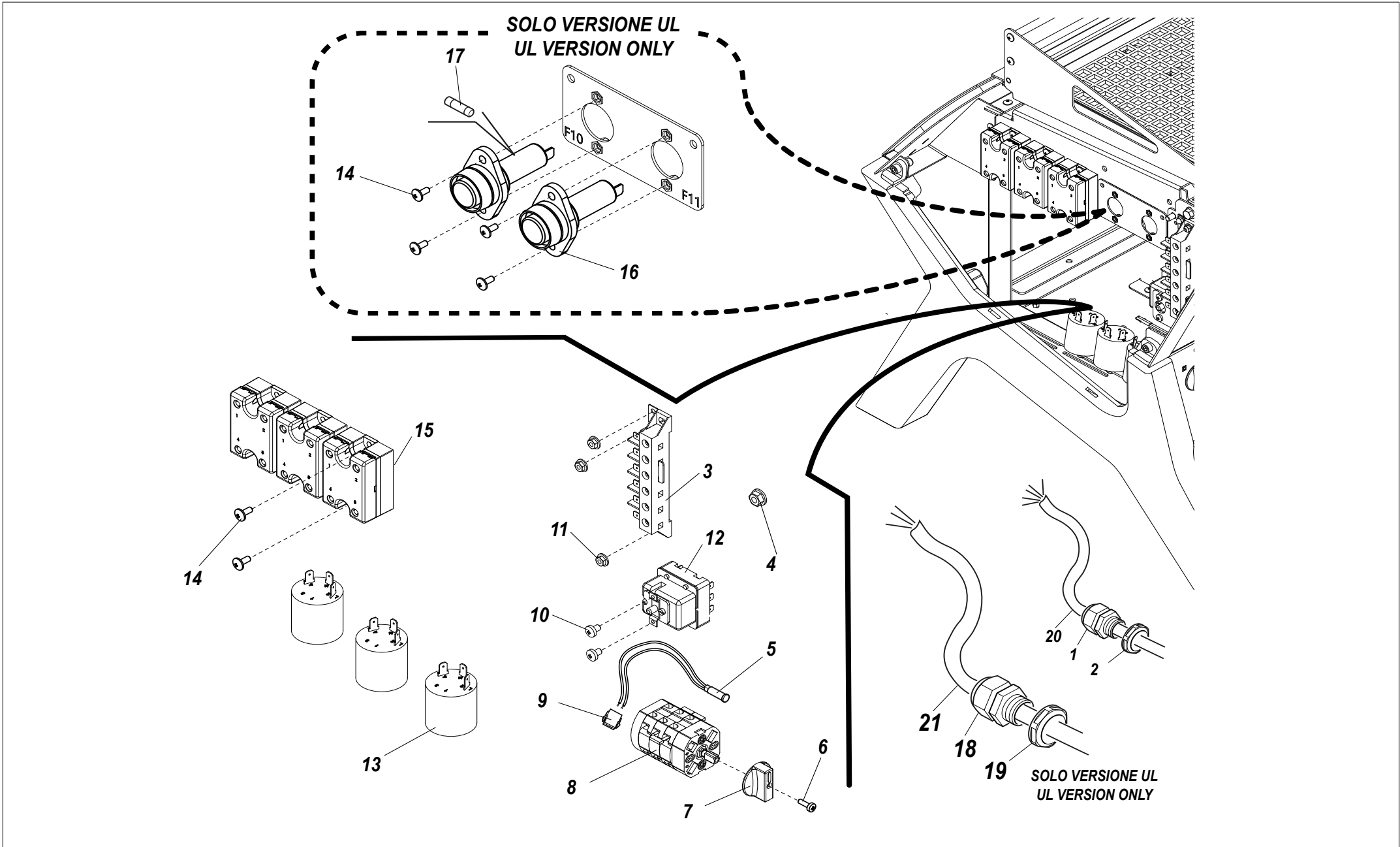




RIF. POS.	CODICE CODE	DESCRIZIONE	DESCRIPTION	NOTE NOTES
1A	KPOVRRS1TZ6A	ASSIEME PORTAFILTRO 1 TAZZA VR RS ITA 6g	VR RS ITA 6g 1 PORTAFILTER ASSEMBLY	
1B	KPOVRRS1TZ7A	ASSIEME PORTAFILTRO 1 TAZZA VR RS UK 7g	VR RS UK 7g 1 PORTAFILTER ASSEMBLY	
2A	KPOVRRS2TZ16A	ASSIEME PORTAFILTRO 2 TAZZE VR RS ITA 14-16g	VR RS ITA 14-16g 2 PORTAFILTER ASSEMBLY	
2B	KPOVRRS2TZ20A	ASSIEME PORTAFILTRO 2 TAZZE VR RS UK 20g	VR RS UK 20g 2 PORTAFILTER ASSEMBLY	
3A	KPOZOVRSF16GA	K.PORT.ZO/VR/F18 S/FON.FIL.C.16G AG.7.20	NAKED 16GR FILTER HOLDER KIT	
3B	KPOZOVRSF18GA	K.PORT.ZO/VR/F18 S/FON.FIL.C.18G AG.7.20	NAKED 18GR FILTER HOLDER KIT	
4	10080760A	MANICO P/FILTRO SR PLASTIC.TORN.	SR PORTAFILTER HANDLE PLASTIC	
5A	10054000A	CORPO PORTAFILTRO OT57 CROM.NSF	FILTER-HOLDER BODY CW510L	
5B	10054002	CORPO PORTAFILTRO OT57 CROM.NSF SENZA FONDO	FILTER-HOLDER BODY CW510L NAKED	
6	10054040	BECCUCCIO 2 VIE COM.AP.CW510L CROM.NSF	2 WAY NOZZLE CW510L	
7	10054030	BECCUCCIO 1 VIA COM.AP.CW510L CROM.NSF	1 WAY NOZZLE CW510L	
8	10052050	MOLLA FERMA FILTRO D1.2 8F255	STOP FILTER SPRING 7-14GR	
9	10053046	FILTRO 2 TZ PIA.H26,5MM COMPET.20GR	20GR 2 CUPS FILTER H26,5MM	
10	10052100	FILTRO 1 TAZZA 7GR	1 CUP FILTER 7GR	
11	10052220A	FILTRO CIECO IN ACCIAIO H16	BLIND FILTER STELL H16	
12	10041306	ASS.GRUPPO E61 F18SB	GROUP ASSEMBLY E61 F18SB	
13	10052137A	TAPPO CHI.GIG.GR.E61 CR F.	GIGLEUR CLOSING TOP GR.E61	
14	10502105A	GUARN.FUNGO SUP.GR.E61 22X17X2	UPPER SEAL GR.E61 22X17X2	
15	10052136	FILTRO GR.E-61/ANELLO INOX D.8,5X22X0,15	GROUP INOX E61 FILTER D.8,5X22X0,15	
16	10052135A	GIGLEUR GRUPPI F.D.0,8 OT.GR OT57	GROUP GIGLEUR D0,8 CW510L	
17	10052133A	FUNGO SUPER.GRUPPO E-61	UPPER GROUP E61 MASHROOM	
18	10502090A	GUARN. LAT.FUNGO GR.E61	SIDE GROUP E61 MASHROOM SEAL	
19	10502100	GUARN.FUNGO EROG.GRUPP.E61 OR128	GROUP E61 MASHROOM SEAL	
22	10805078	VITE TCEI M6X8 A2 UNI 5931	SCREW TCEI M6X8	
23	10052134	PRIGIONIERI GRUPPO E61	ROUP HEAD STUD	
24	10052132A	FUNGO LATER.GRUPPO E-61	SIDE GROUP MASHROOM	
25	10052141A	DIFFUSORE GRUPPO E61 OT.CW510L	GROUP E61 DIFFUSER CW510L	
26	10052120	DOCCIA A RETE GRUPPO E61	GROUP E61 HEAD SHOWER AISI304	
27	10502160	GUARNIZ.SOTTOC. H8,5mm GRUPPO E61	H8,5 UNDER CUP SEAL GROUP E61	
28	10302088B	ELET.3V 230V 32X32 RUB.OT57-316L	3 WAY SOLENOID VALVE 230V CW510L-316L	
29	10805071	VITE TCEI M4X10 A2 UNI 5931	TCEI M4X10 SCREW A2	
30	10039096	RACCORDO UNICO DI SCARICO F18	EXHAUST VALVE FITTING	

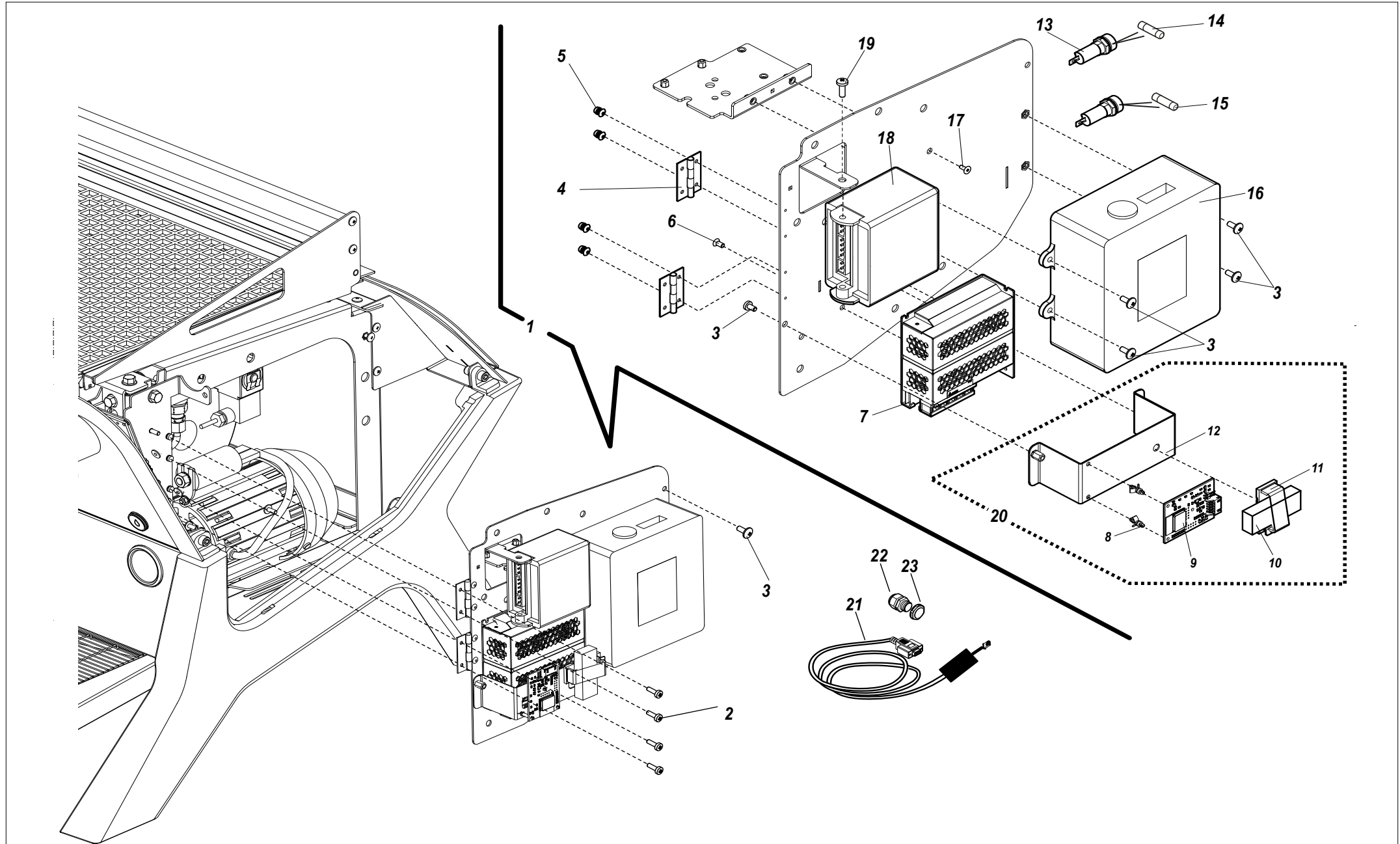
SEGUE / CONTINUE ---->





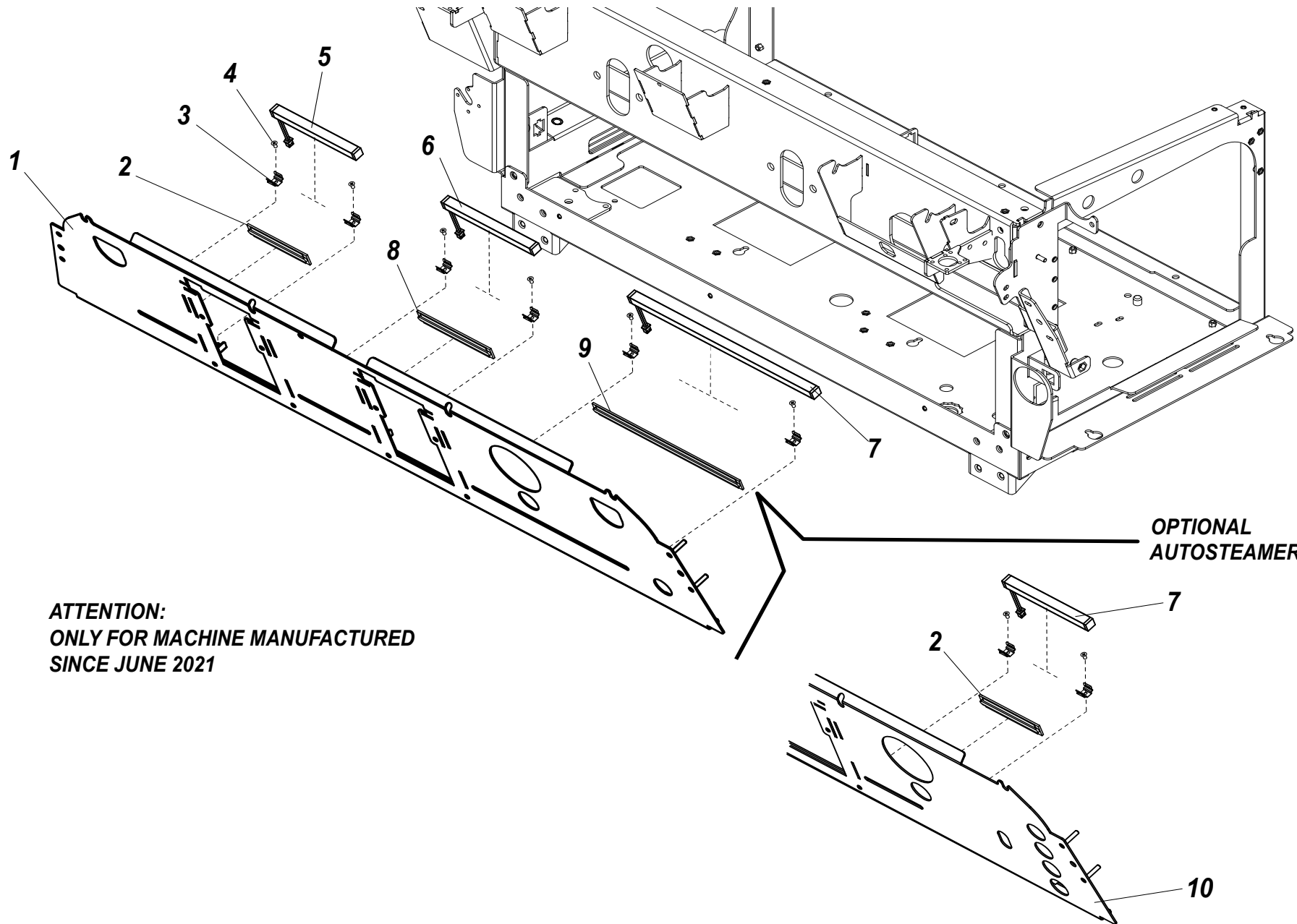


RIF. POS.	CODICE CODE	DESCRIZIONE	DESCRIPTION	NOTE NOTES
1	10102250A	PRESSAC.AL.PG 21 ANTIST.UL BIMED	CABLE GLAND PG21	
2	10102249A	CONTROD.ESAG.PG.21 UL BIMED NERO	HEXAGONAL PG.21 LOCKNUT	
3	10106082	MORSETTIERA 6 POLI VITE/FAST-ON FV122B	TERMINAL BOARD 6P VI/FAST UL	
4	10809038	DADO 6MA FLANG.ZIGR.AISI CL8	FLANGED NUT 6MA	
5	10553019	SPIA ARAN.D6 230V CB-UL AWG CABL.2FS.	ORANGE LIGHT D6 230V AWG	
6	10805116	VITE TC+ M3X10 TRUC.ZN NERA COMMUT.GGT	SCREW TC+ M3X10	
7	10122015	MANOPOLA PER COMMUTATORE	SWITCH KNOB	
8	10122066	COMMUTATORE PON.TRIF P020 20A	THREE PHASE SWITCH	
9	10105180A	BLOCCHETTO 2 VIE M.BIANCO GWIT750	2 WAY WHITE BLOCK GWIT750	
10	10805872	VITE TC+ M4X6 ZN UNI 7687	SCREW TC+ M4X6 ZN	
11	10809011	DADO 4MA FLANG.ZIGR.ZN CL8	M4 FLANGED NUT	
12	10112015A	TERMOSTATO 169° A RIARMO MANUALE TRIF.	THREE PHASES MANUAL THERMOSTAT 169°	
13A	10252027	FILTRO CON.DEM F3CF70112F C/FAS.	CONDENSER FILTER	UL VERSION
13B	10252017	FILTRO CON.DEM F3CF70112F C/FAS.+COD.M8	CONDENSER FILTER	
14	10805027A	VITE TBL+ M4X10 A2 LUCIDE T/T PH2	TBL+ M4X10 A2 SCREW	
15	10112262A	RELE' ST.RELAY 4-32V DC 25A 280V UL CE	STATIC RELAY 4-32V DC 25A 280V	
16	10111140	PORTAFUSIBILE 10X38 30A 600V GPM-SRR	FUSE BOX 10X38 30A 600V	UL VERSION
17	10111108	FUSIB.20A 10X38 BUSS.FNQ UL-E19180	FUSE 20A 10X38 UL-E19180	UL VERSION
18A	10102250A	PRESSACAVO AL.PG21 2GR	BLACK CABLE GLAND PG21 2GR	2GR UL VERSION
18B	10102118	PRESSACAVO AL.PG 29 3GR	BLACK CABLE GLAND PG29 3GR	3GR UL VERSION
19A	10102249A	CONTRODADO ESAG.PG.21 2GR	BLACK COUNTER NUT PG21 2GR	2GR UL VERSION
19B	10102116	CONTRODADO ESAG. PG.29 3GR	BLACK COUNTER NUT PG29 3GR	3GR UL VERSION
20A	10102193A	CAVO ALIMENTAZIONE MONOFASE	POWER SUPPLY CABLE MONOPHASE	
20B	10102191B	CAVO ALIMENTAZIONE TRIFASE	POWER SUPPLY CABLE THREEPHASE	
21A	10102710	CAVO ALIMENTAZIONE UL 2GR	POWER SUPPLY CABLE 2GR	2GR UL VERSION
21B	10102709	CAVO ALIMENTAZIONE UL 3GR	POWER SUPPLY CABLE 3GR	3GR UL VERSION





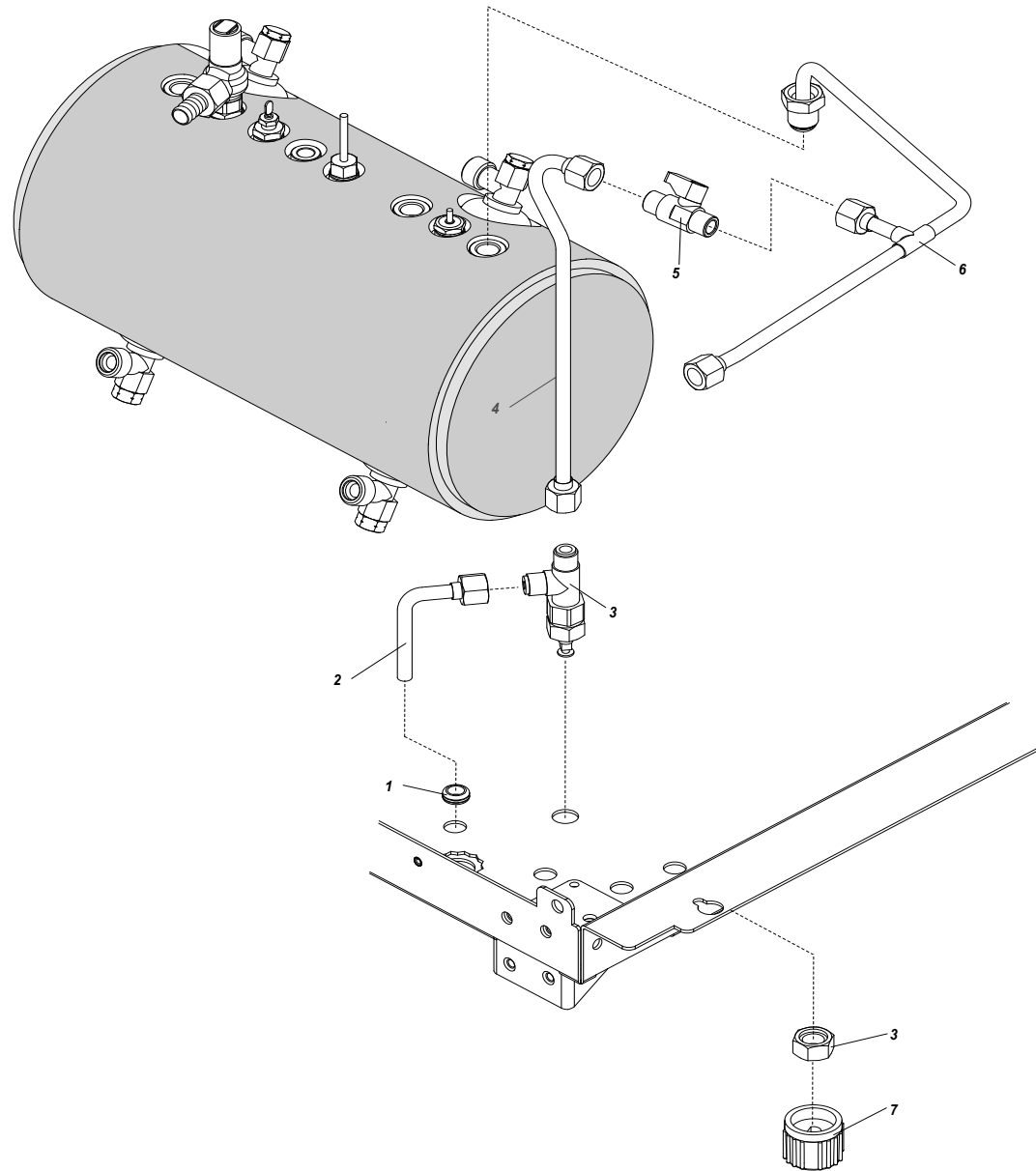
RIF. POS.	CODICE CODE	DESCRIZIONE	DESCRIPTION	NOTE NOTES
1A	10041332	ASS.SPORTELLO ELE.F18SB 2-3GR NO OPT.	RIGHT ELECTRIC SIDE PANEL NO OPTIONAL	
1B	10041333	ASS.SPORTELLO ELE.F18SB 2-3GR LED	RIGHT ELECTRIC SIDE PANEL WITH LED	
1C	10041338	ASS.SPORTELLO ELE.F18SB 2-3GR C/TVC	RIGHT ELECTRIC SIDE PANEL WITH TVC	
1D	10041339	ASS.SPORTELLO ELE.F18SB 2-3GR C/TVC LED	RIGHT ELECTRIC SIDE PANEL WITH TVC/LED	
2	10805054	VITE TC+ M3X10 A2 UNI 7687	SCREW TC+ M3X10 A2	
3	10805027A	VITE TBL+ M4X10 A2 LUCIDE T/T PH2	TBL+ M4X10 A2 SCREW	
4	10155010	CERNIERA STRETTA 120/40 INOX	METAL HINGE 120/40 INOX	
5	10805948	RIVETTO D3x5 ALL. A STRAPPO	D3X5 RIVET	
6	10805038	VITE TSP+ M3X6 A2 UNI 7688	TSP+ M3X6 SCREW	
7	10554109A	ALIMENTATORE SWITCH 35W 24V UR TUV	SWITCH POWER PACK 35W 24V	
8	10355077	DISTANZIALE DOPPIO INNESTO F3 F2,5 L4,7	CIRCUIT SHIM F3 F2,5 L4,7	
9	10112532A	SCHEDA INTERF.WI-FI S/C.AGG.P.0718	WI-FI INTERFACE BOARD	
10	10112596	SCHEDA ALIM.INTERF.WI-FI C/CONN.DIRET	WI-FI INTERFACE POWER SUPPLY BOARD	
11	10355094	FERMACAVO CAVI PIATTI CONF.200PZ	CLAMP FOR POWER SUPPLY	
12	10086058A	STAFFA SUPPORTO WIFI F18 SB	WIFI SUPPORT PLATE F18SB AISI430	
13	10111094	CORPO PORTAFU.5X20MM TER.3/16"	FUSE HOLDER 5X20	
14	10111085A	FUSIB.VETRO 1A 5X20F 250V VDE-UL-CSA-PSE	GLASS FUSE 1,25 A 5X20F 250V VED-UL-CSA	OPTIONAL LED ONLY (F1)
15	10111192A	FUSIBILE VET.2AT 5X20 250V VDE-UL	GLASS FUSE 2AT 5X20 250V VDE-UL	ELECTRIC MOTOR ONLY (F3)
16	10114670A	CENTRALINA 3D5 MAESTRO FR2020	CONTROL UNIT 3D5 FR2020 F18SB	
17	10805220	VITE TSP+ M3X10 A2 UNI 7688	SCREW TC + M3X10 A2 UNI7688	
18	10112186A	CENTRALINA SCHEDA ESP.3 RELE'TVC C/AER.	3 RELAYS EXPANSION BOARD TVC	
19	10805114	VITE TC+ SW M5X12 ZN AUTOMASCH.	TC+ M5X12 SCREW	
20	KITF18SBSUWI	KIT SUPPORTO WIFI F18SB	WIFI SUPPORT KIT F18SB	
21	10112458	SCHEDA INTERFACCIA 3D-PC CON CAVO SEN.CD	3D-PC BOARD WITH CABLE	
22	10102954	PRESSACAVO AL.PG7 ANTIST.UL BIMED NE	UL CABLE GLAND PG7	
23	10102956	CONTRODADO ESAG. PG.7 UL BIMED NE	COUNTER NUT PG7 UL HEXAGONAL	

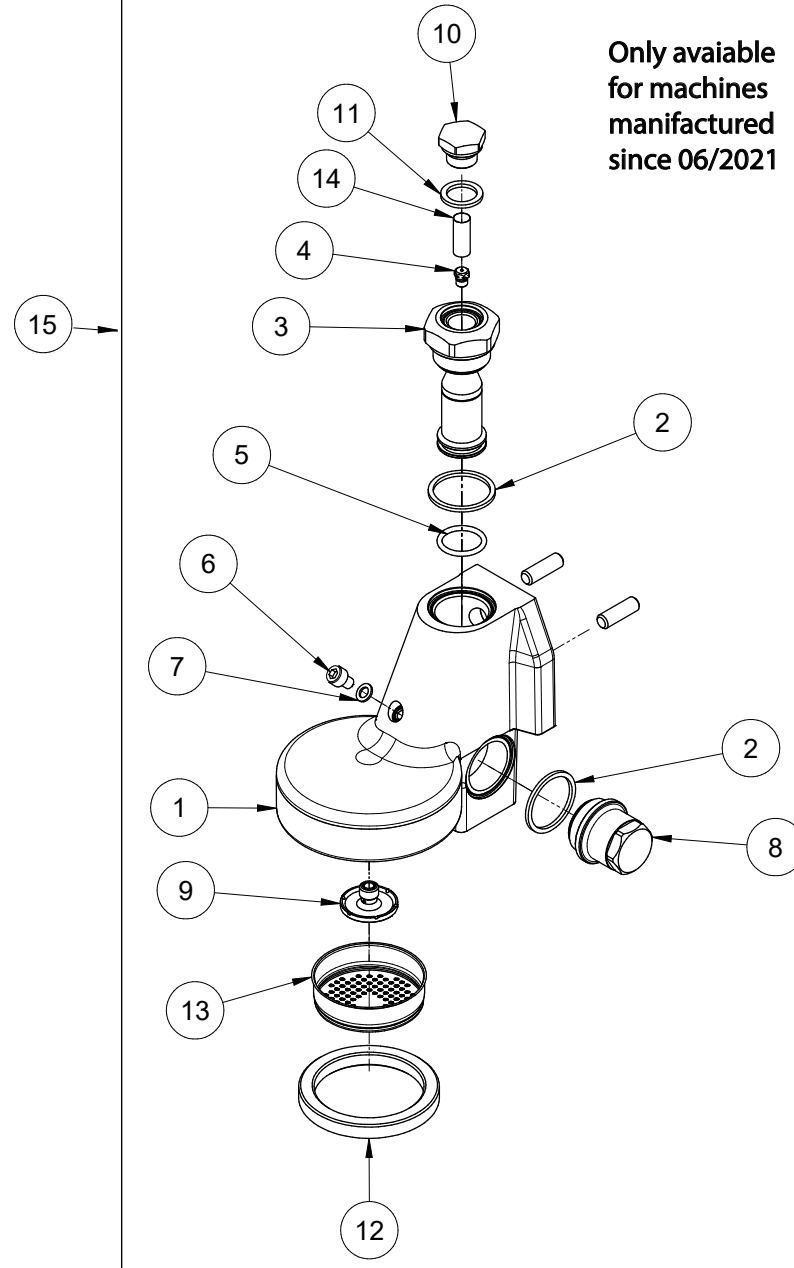


**OPTIONAL
AUTOSTEAMER**

**ATTENTION:
ONLY FOR MACHINE MANUFACTURED
SINCE JUNE 2021**

USCITA VAPORE EXTRA / EXTRA OUT STEAM









SANREMO coffee machines s.r.l.

Via Bortolan, 52

31050 Vascon di Carbonera (Treviso) ITALY

Tel. +39.0422.498900 - Fax. +39.0422.448935

www.sanremomachines.com - E-mail: info@sanremomachines.com